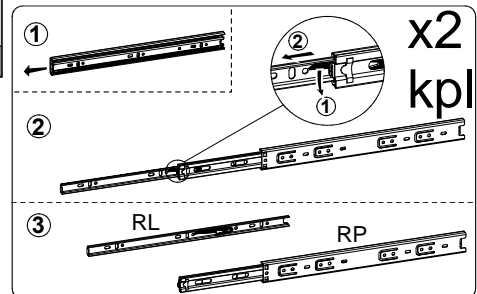



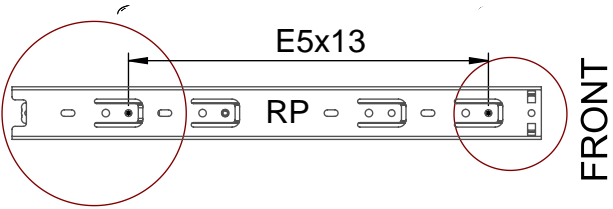
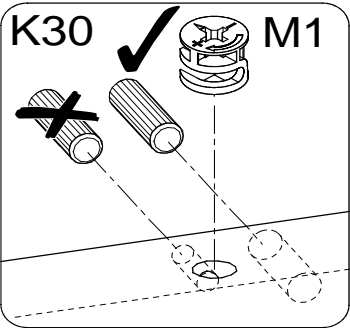
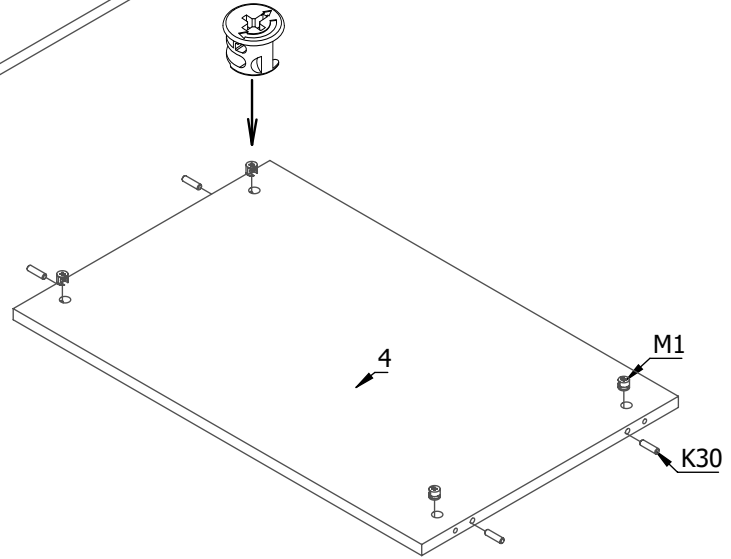
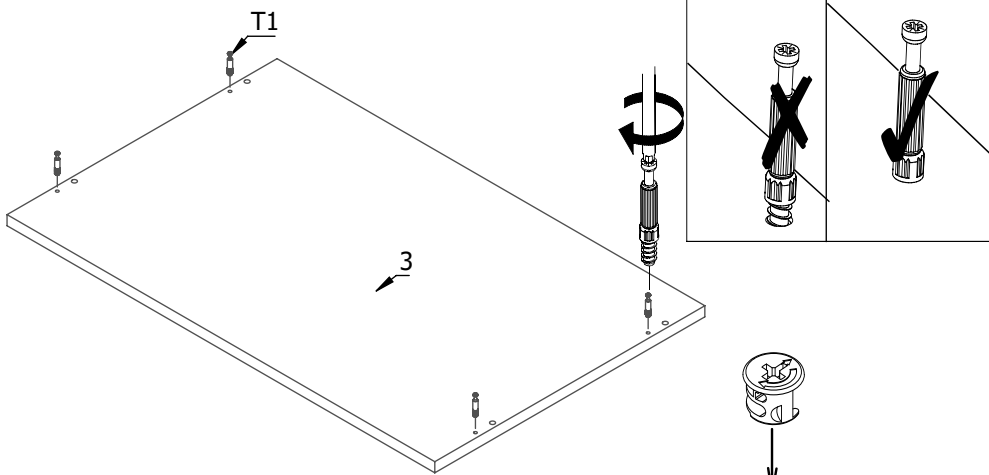


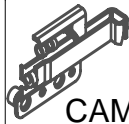


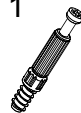

<p>10x80</p> <p>KR 4</p>	<p>KF50</p> <p>6</p>	<p>Q</p> <p>1</p>	<p>X</p> <p>24</p>	<p>E5x13</p> <p>16</p>	<p>UM</p> <p>2</p>	<p>W3,5x16</p> <p>4</p>
--------------------------	----------------------	-------------------	--------------------	------------------------	--------------------	-------------------------

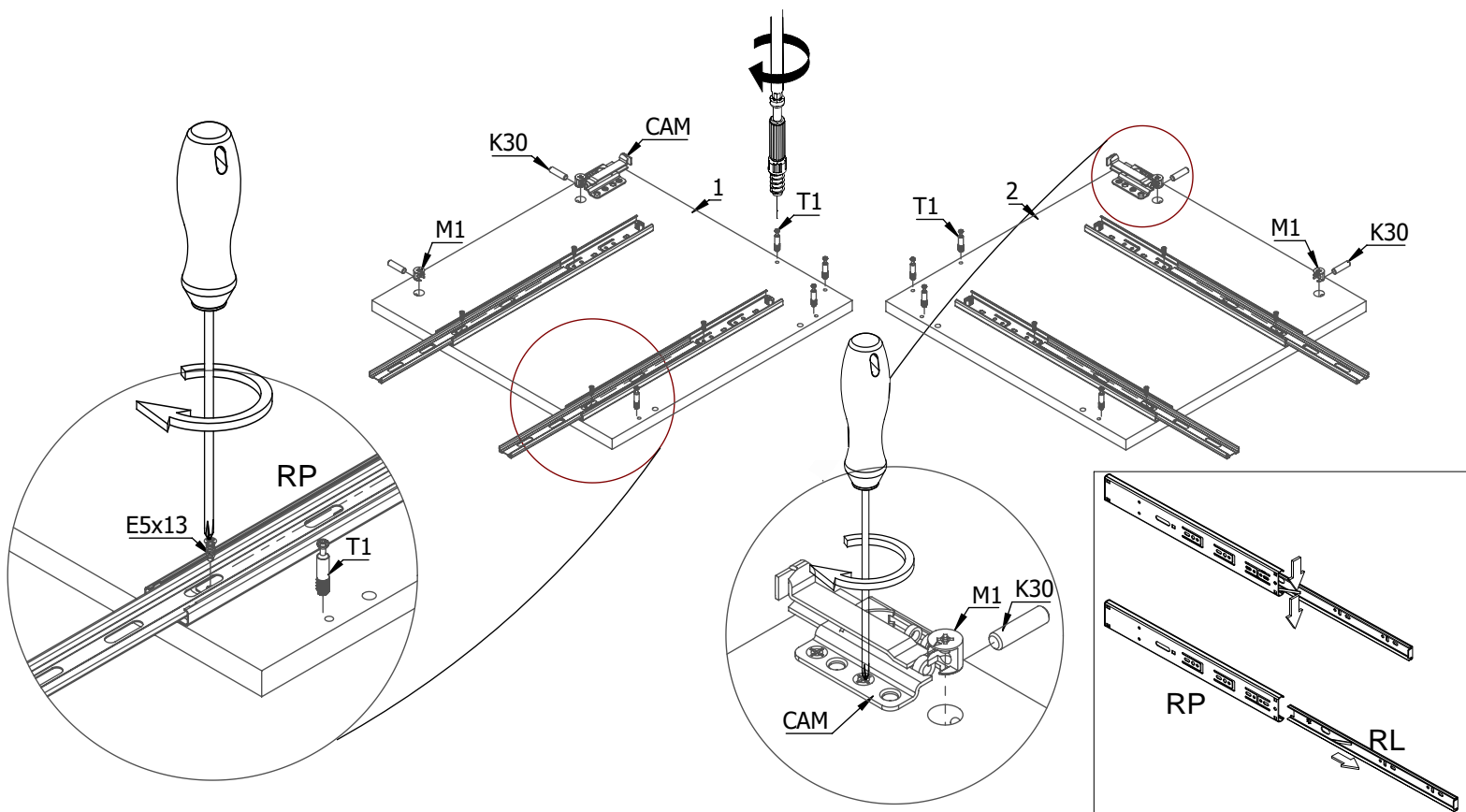
<p>K30</p> <p>26</p>	<p>T1</p> <p>24</p>	<p>M1</p> <p>24</p>	<p>CAM</p> <p>2</p>	<p>ZA</p> <p>2</p>	<p>W3x13</p> <p>2</p>
----------------------	---------------------	---------------------	---------------------	--------------------	-----------------------












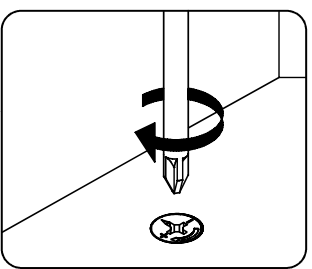
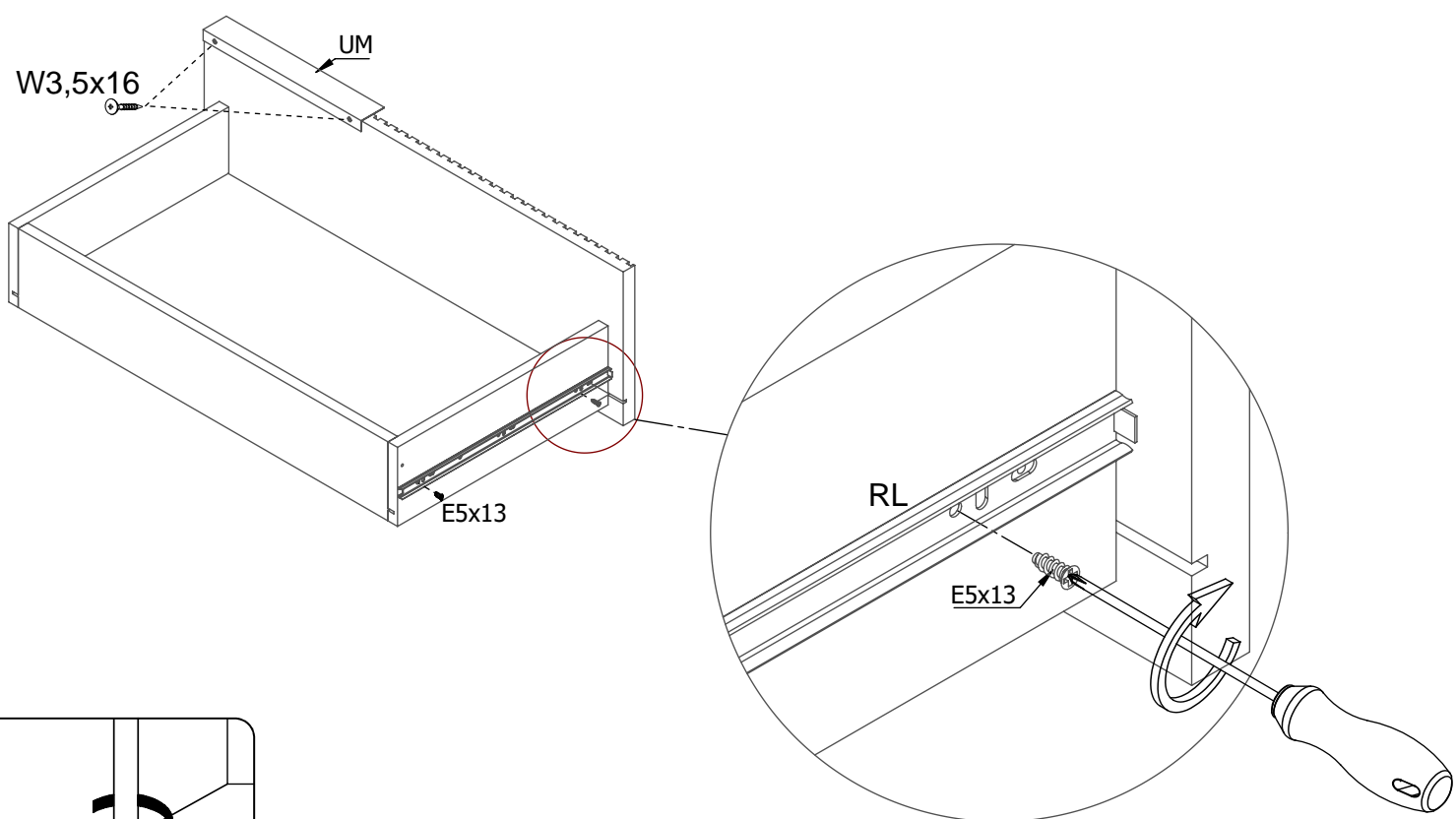
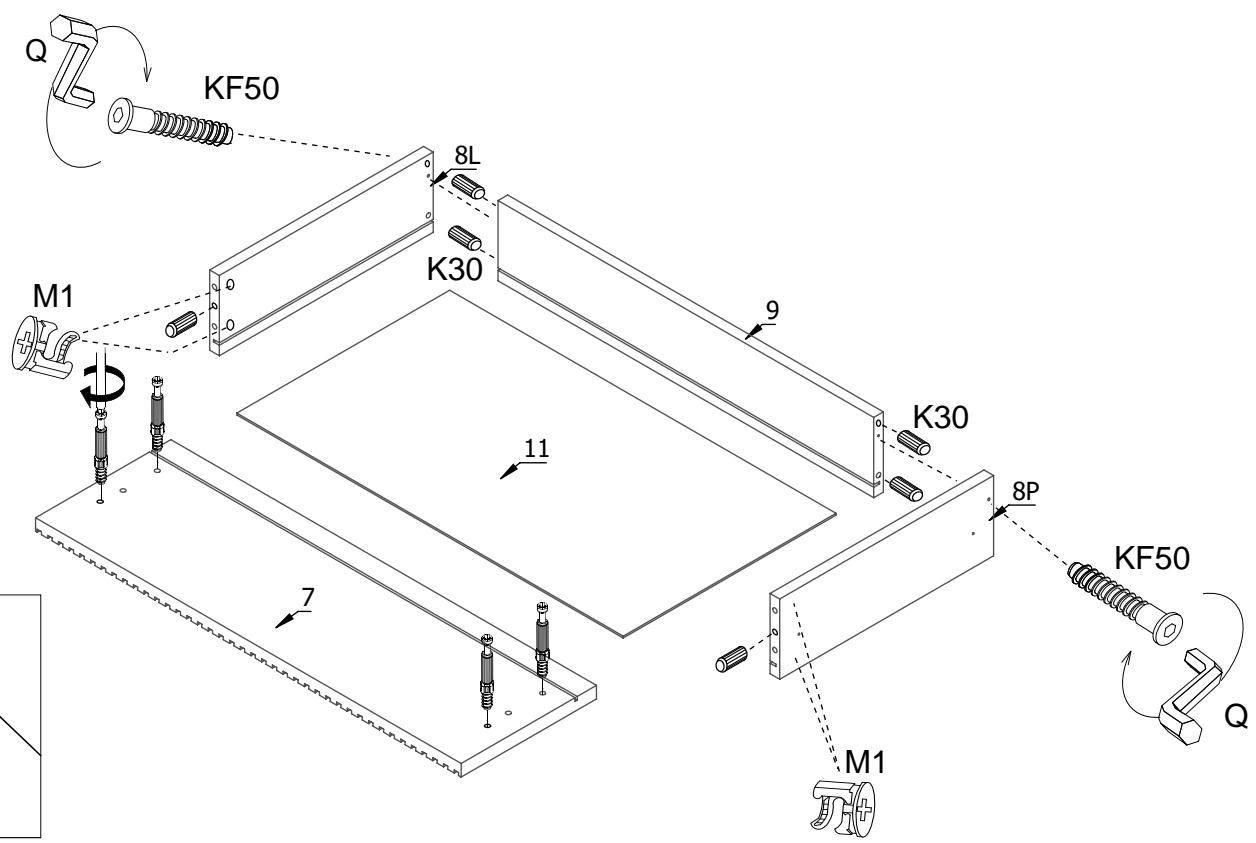
K30  4	M1  4	T1  4
--	---	---












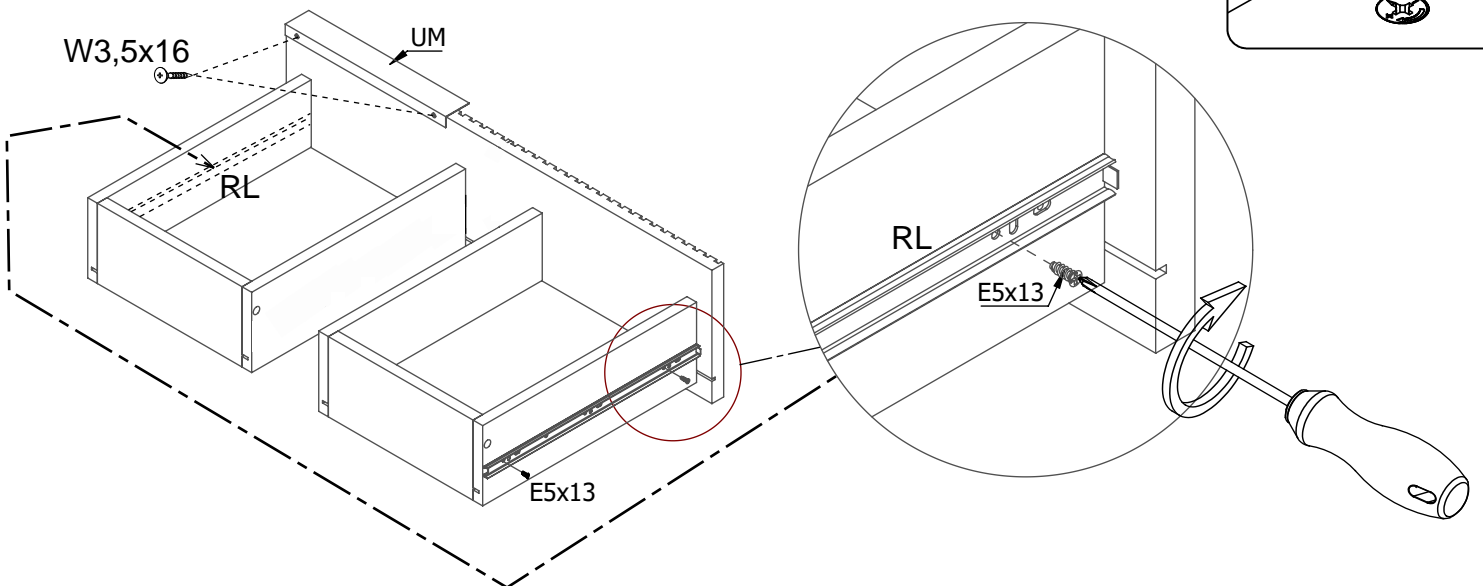
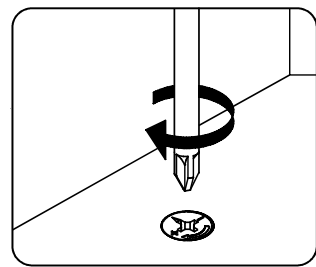
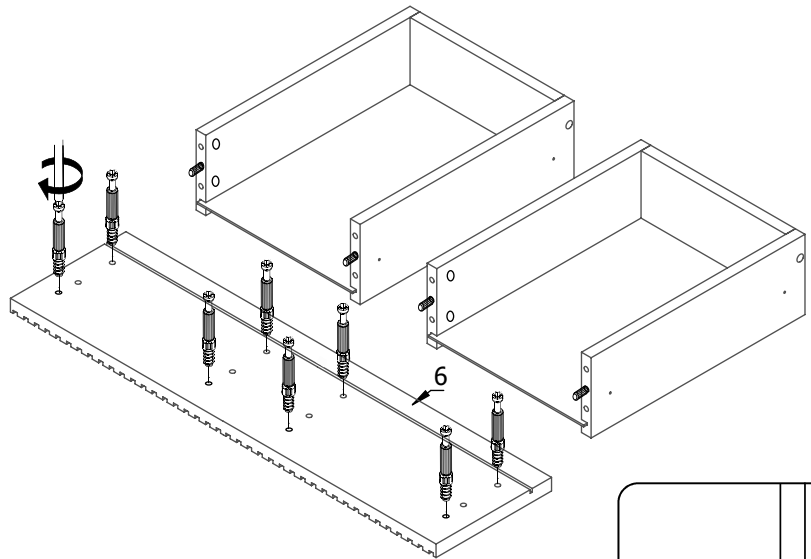
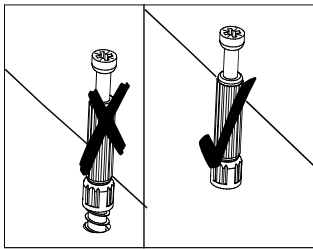
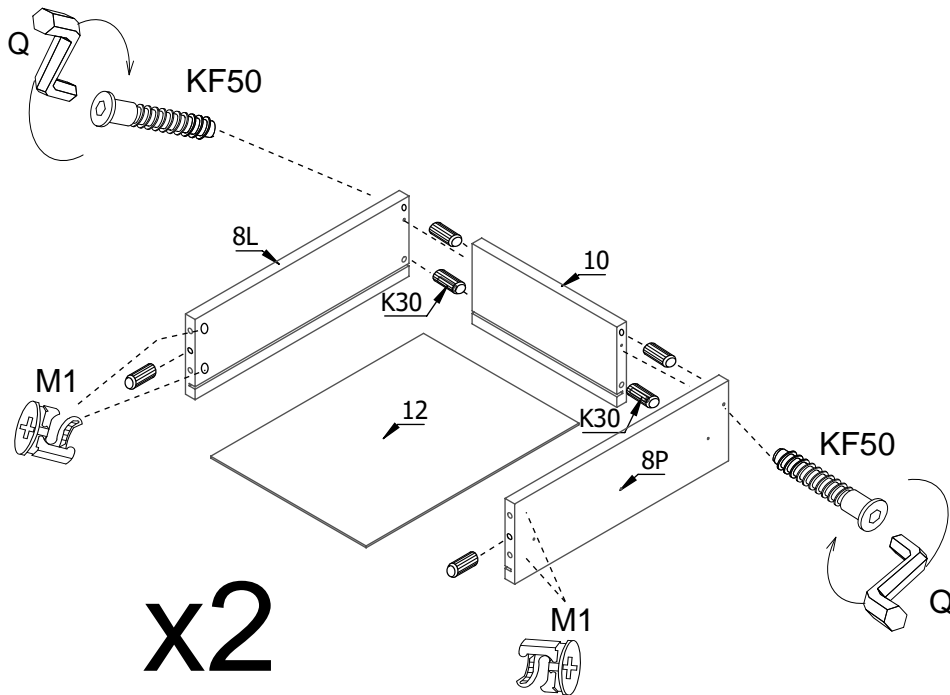
 CAM 2	K30  4	M1  4	T1  8	E5x13  8
--	---	--	--	---

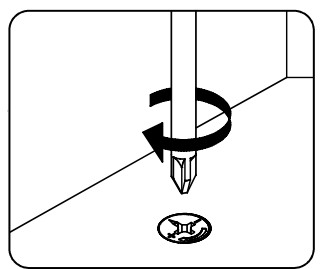
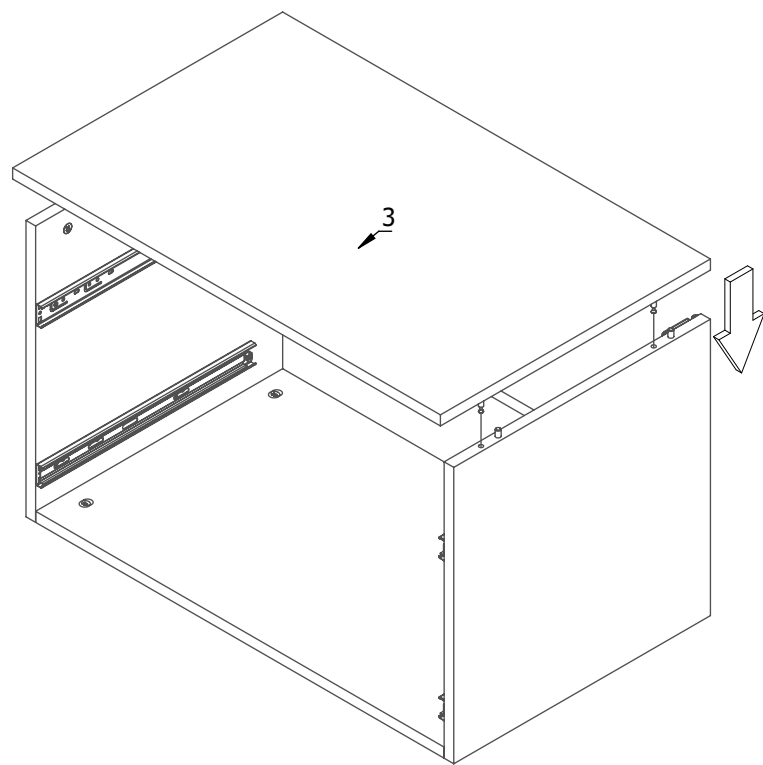
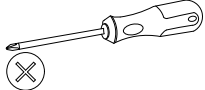
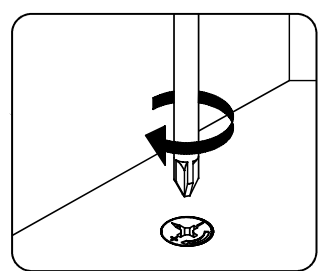
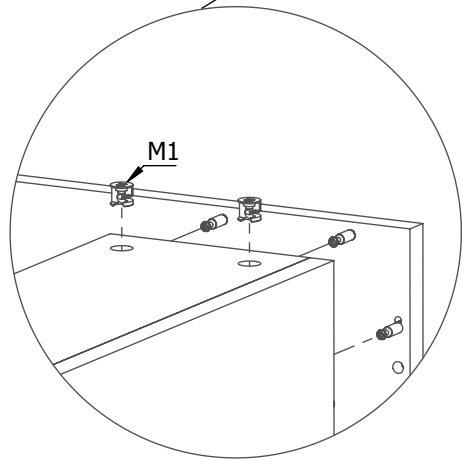
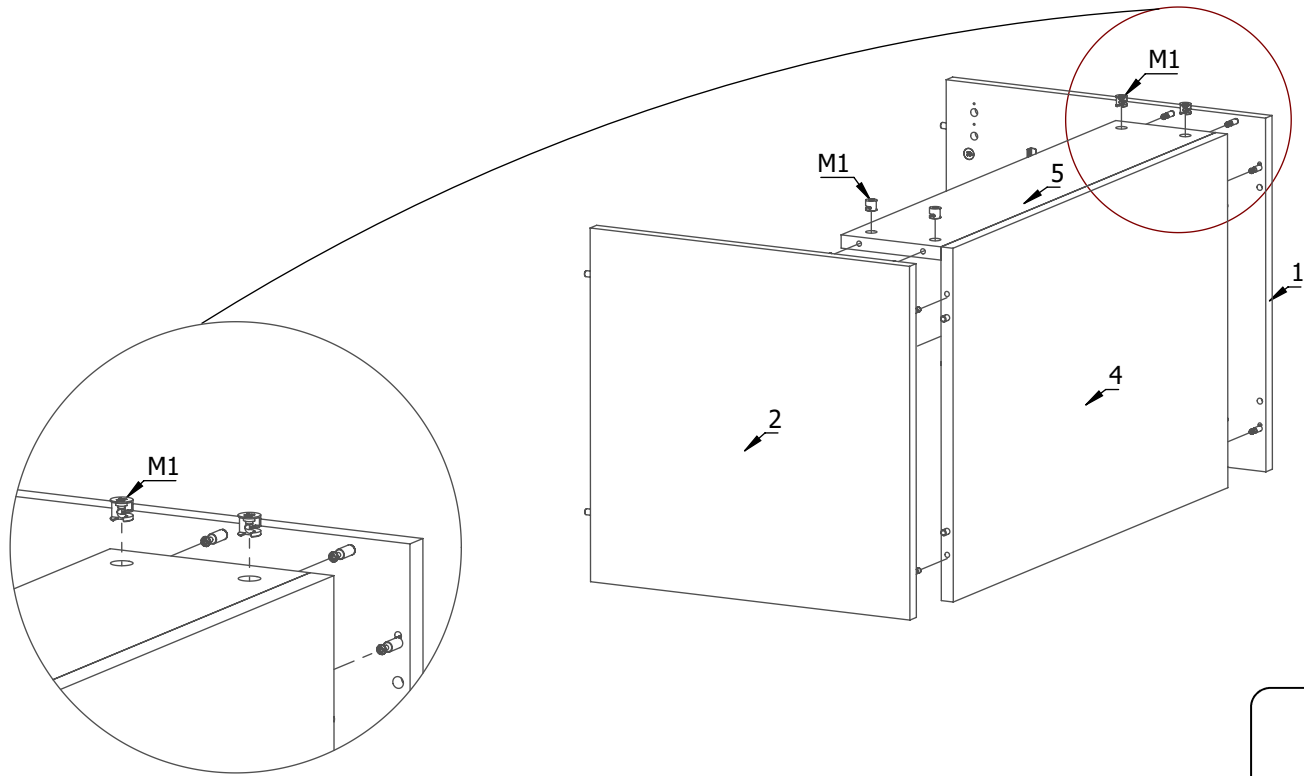
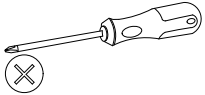


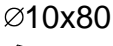
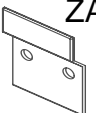

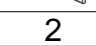
<b>K30</b>  6	<b>M1</b>  4	<b>T1</b>  4	<b>E5x13</b>  4	<b>RL</b>  2	<b>Q</b>  1	<b>KF50</b>  2	<b>UM</b>  1	<b>W3,5x16</b>  2
---	--	--	---	--	---	--	--	---



<p>K30</p>  <p>12</p>	<p>M1</p>  <p>8</p>	<p>T1</p>  <p>8</p>	<p>E5x13</p>  <p>4</p>	<p>RL</p>  <p>2</p>	<p>Q</p>  <p>1</p>	<p>KF50</p>  <p>4</p>	<p>UM</p>  <p>1</p>	<p>W3,5x16</p>  <p>2</p>
---	---	---	--	---	--	---	---	--





 Ø10x80	 ZA
 KR	 2
4	2

