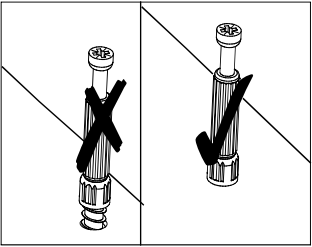
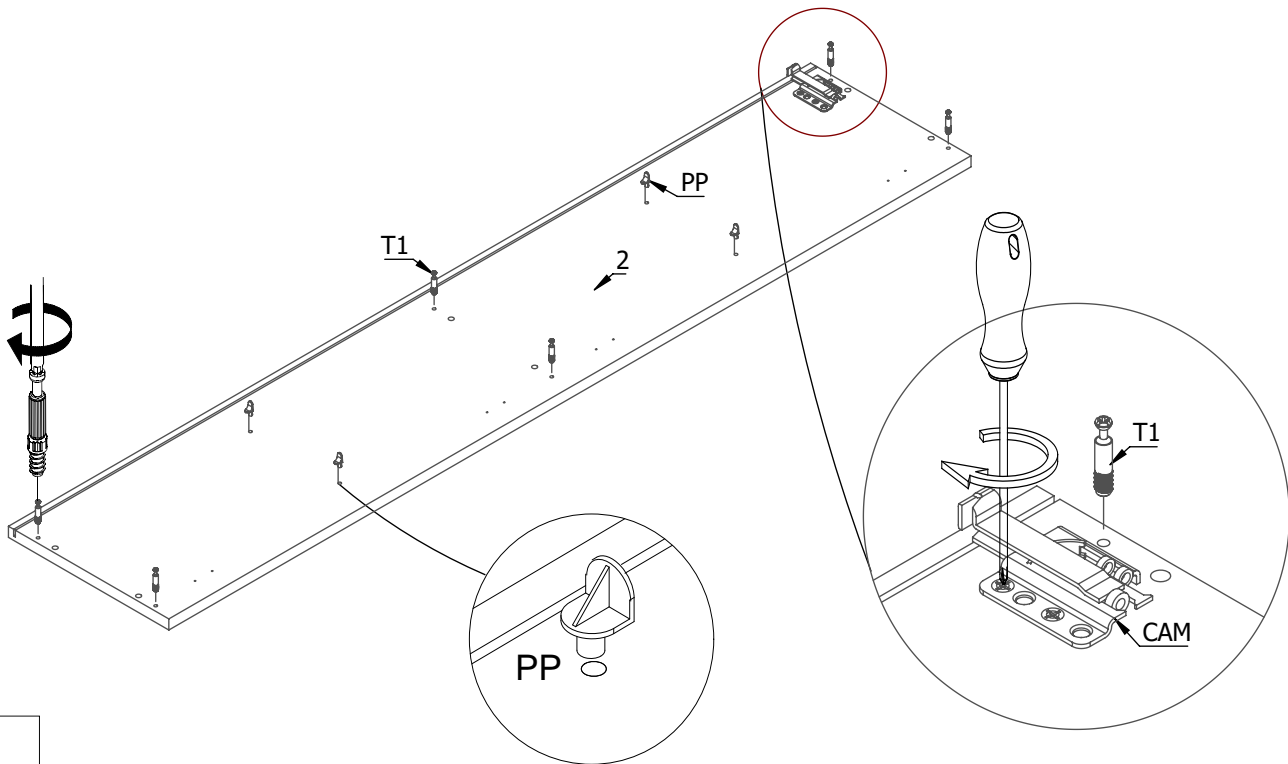
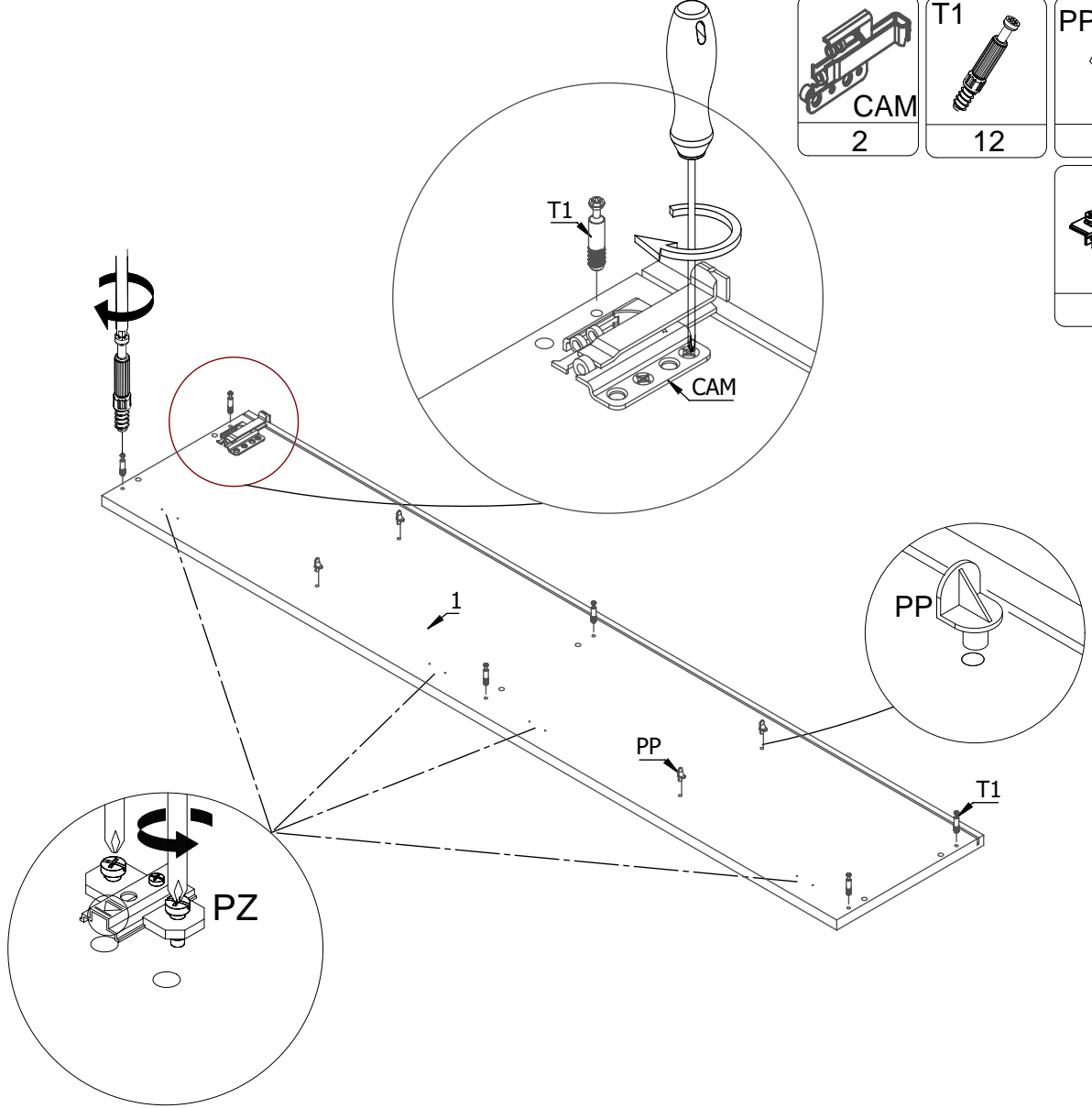
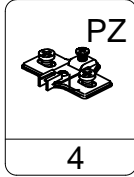
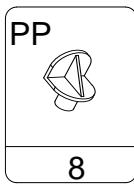
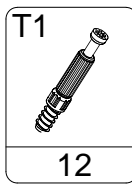
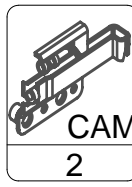
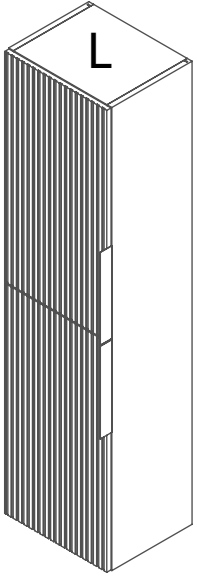
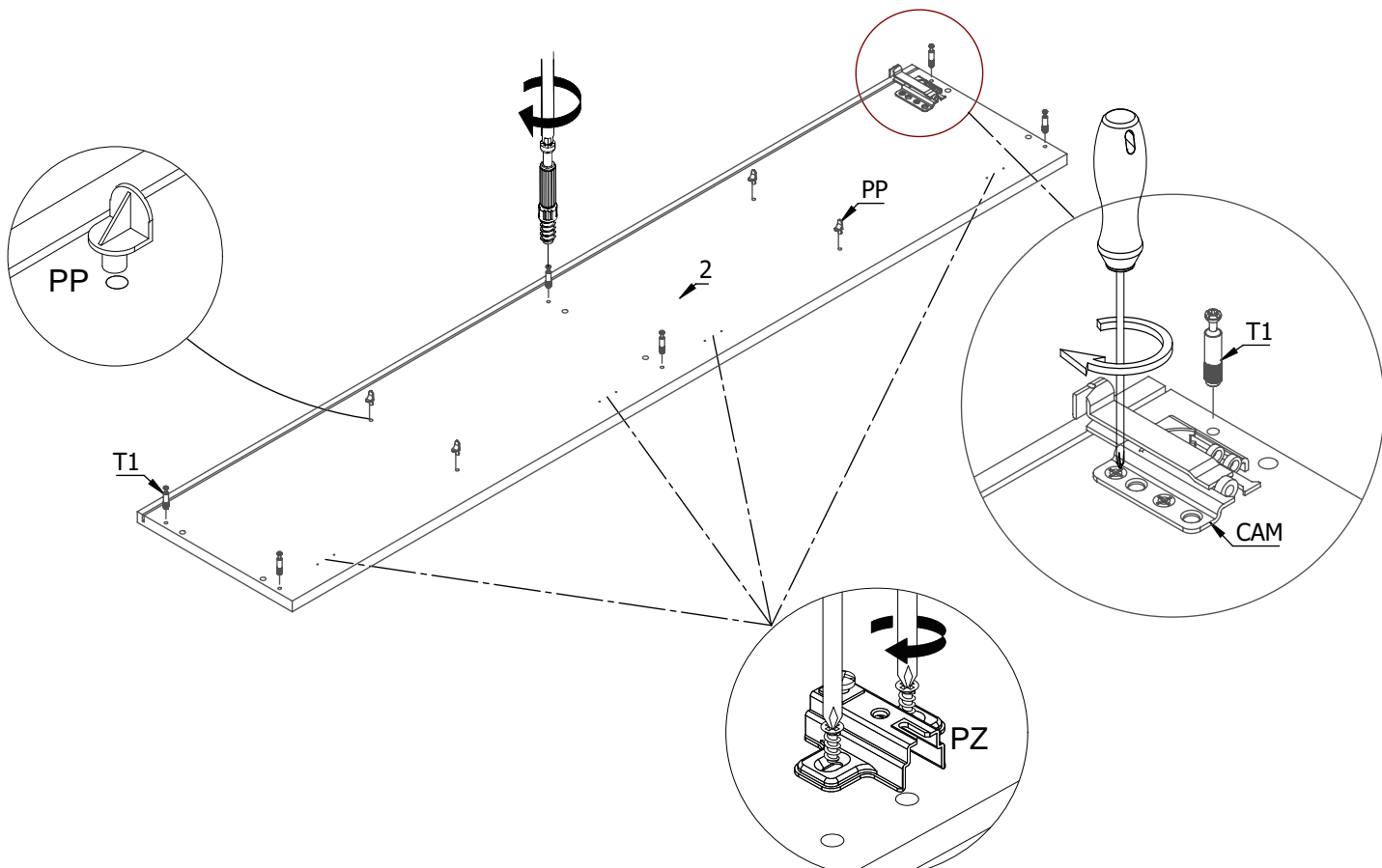
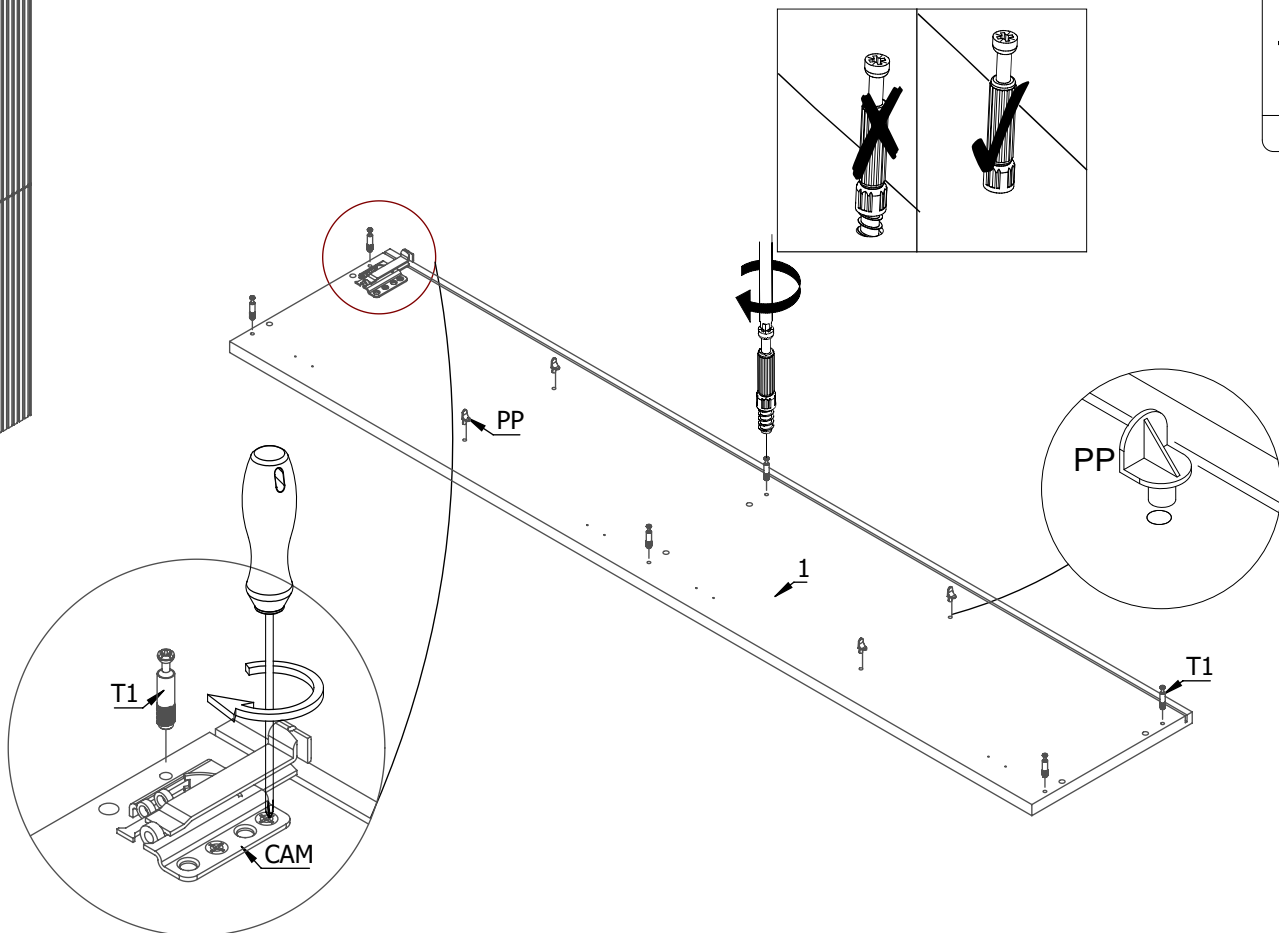
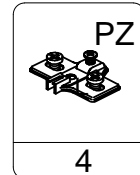
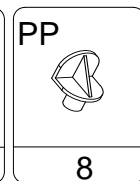
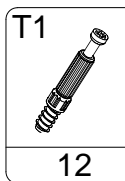
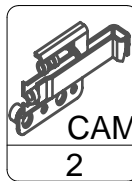
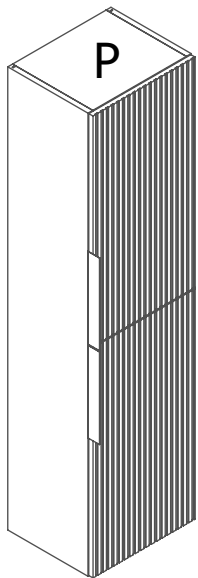


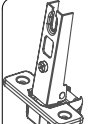

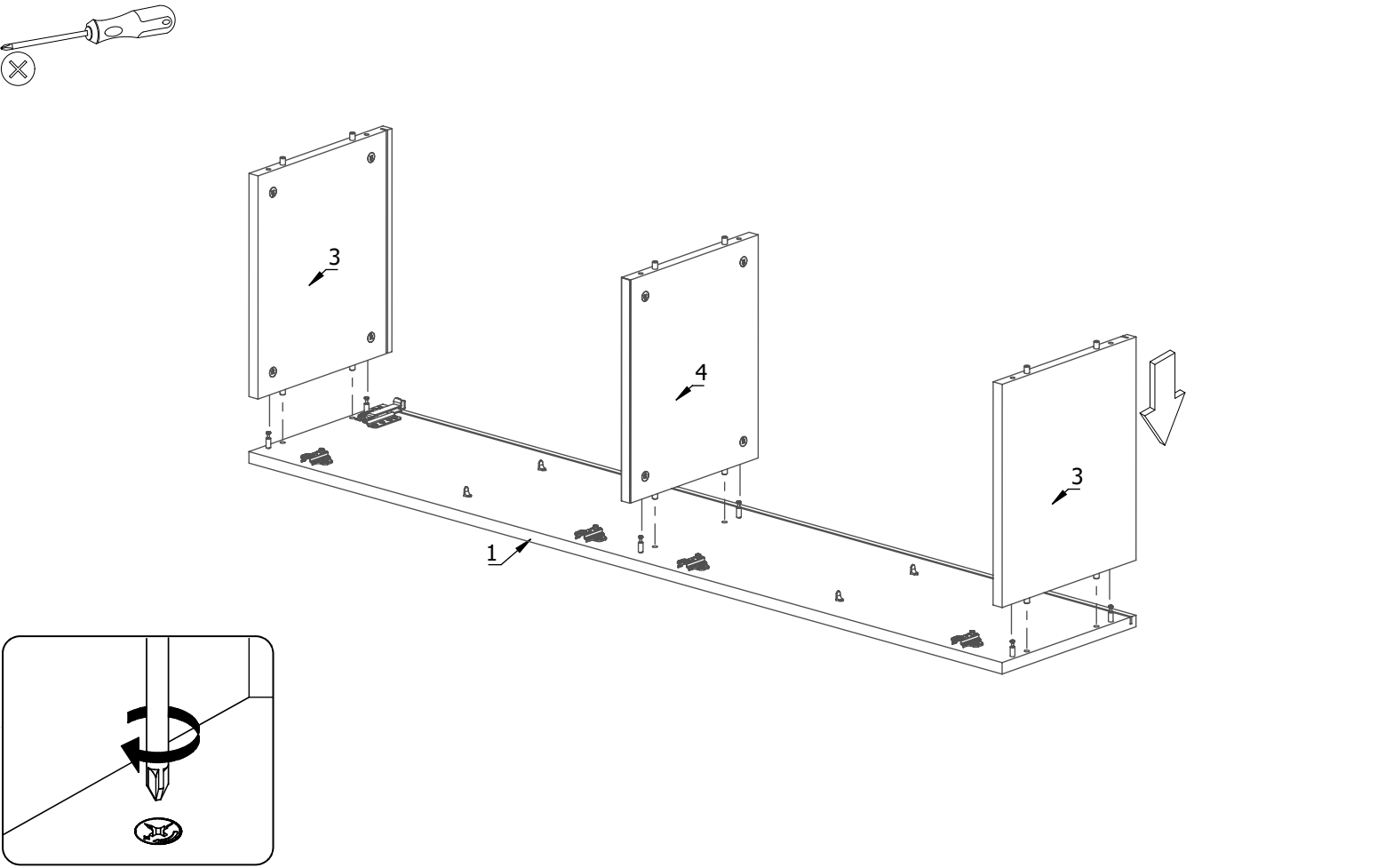
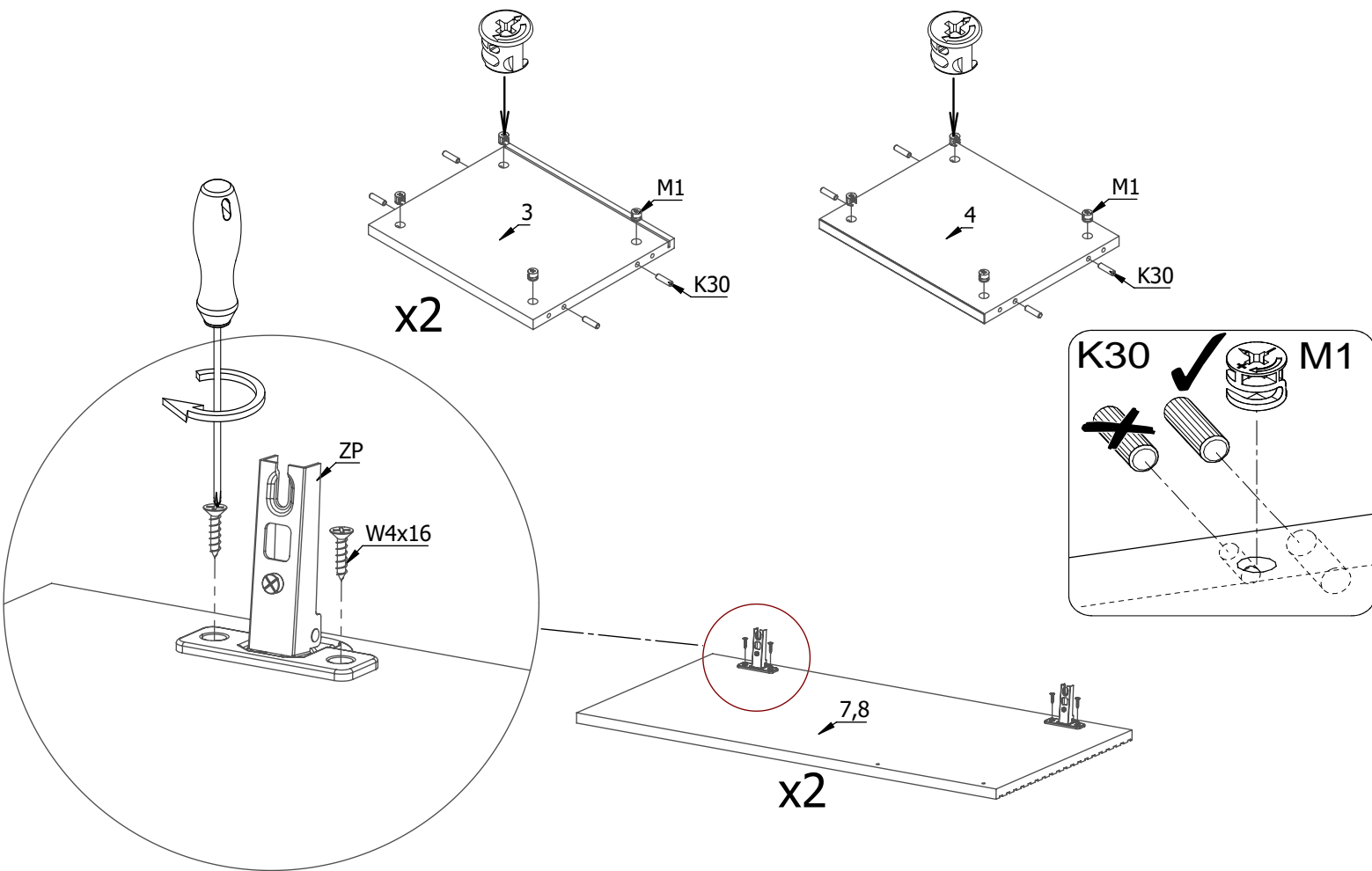


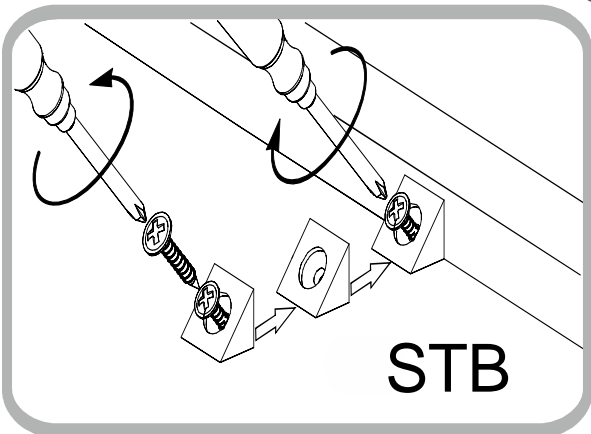
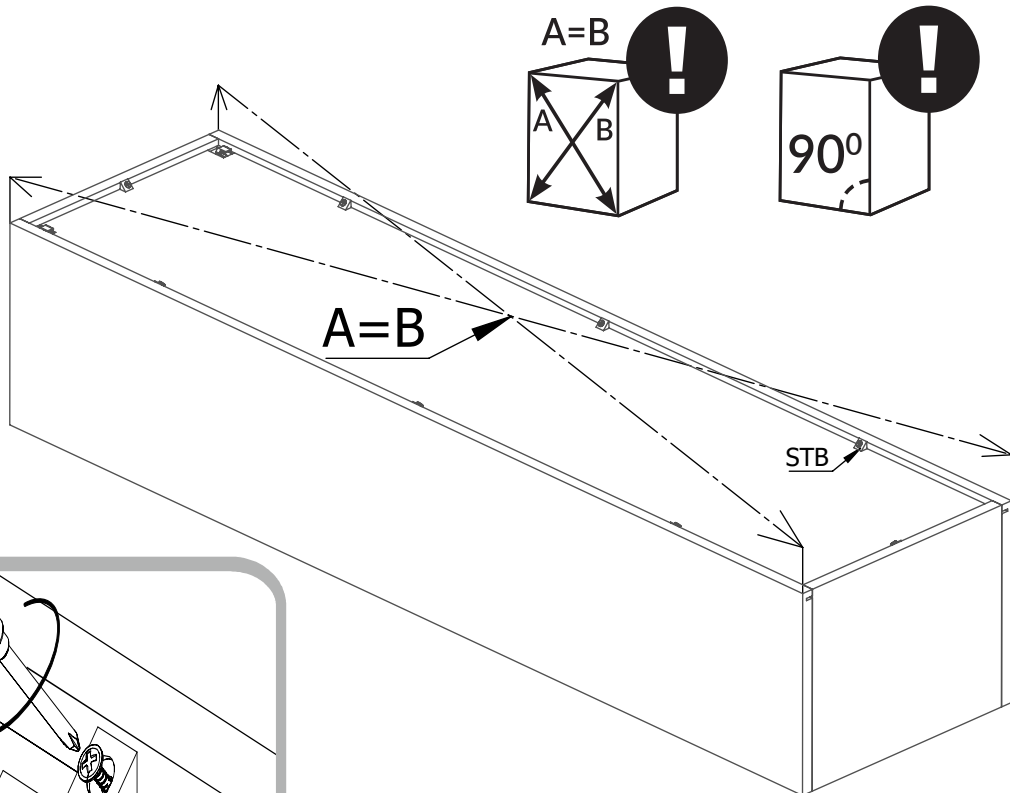
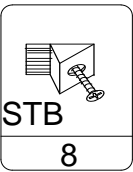
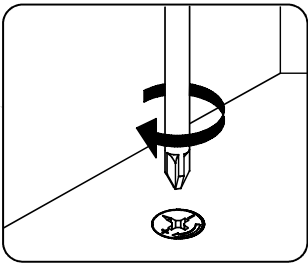
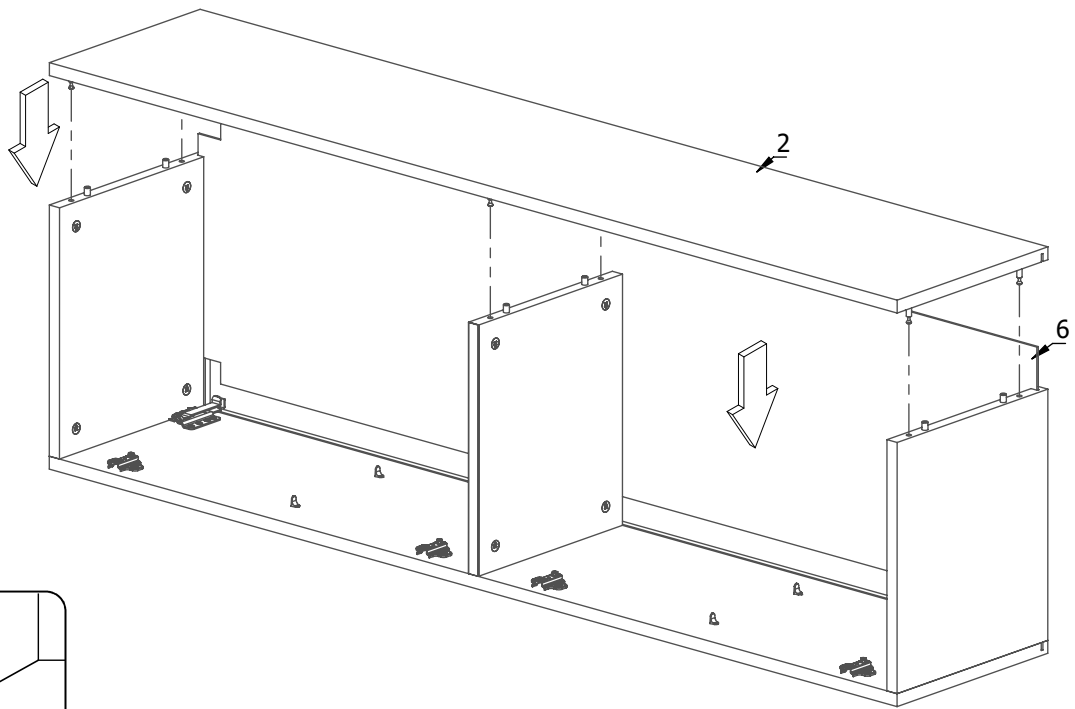
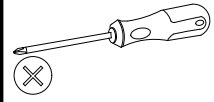
<p>10x80 KR 4</p>	<p>STB 8</p>	<p>CAM 2</p>	<p>x 12</p>	<p>ZA 2</p>	<p>UM 2</p>	
<p>K30 12</p>	<p>T1 12</p>	<p>M1 12</p>	<p>PP 8</p>	<p>W3,5x16 4</p>	<p>W4x16 8</p>	
<p>PZ 4</p>	<p>ZP 4</p>					

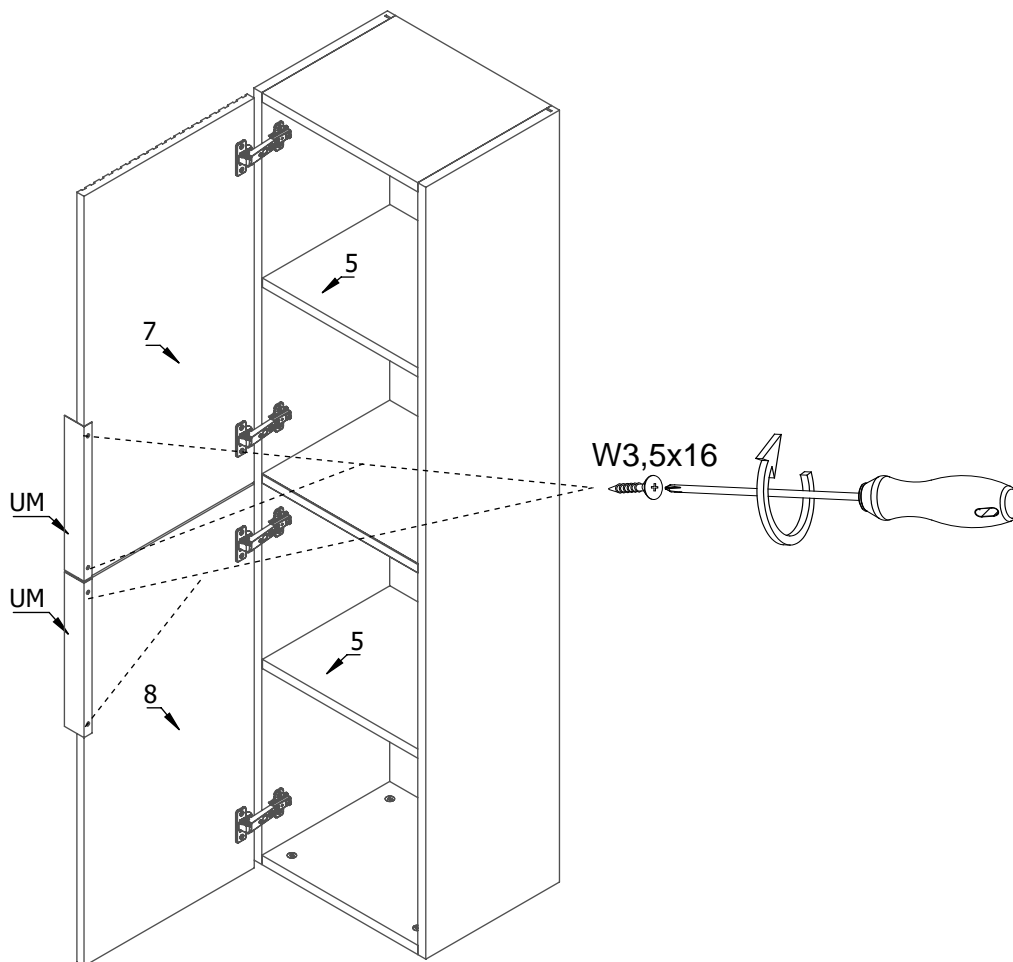
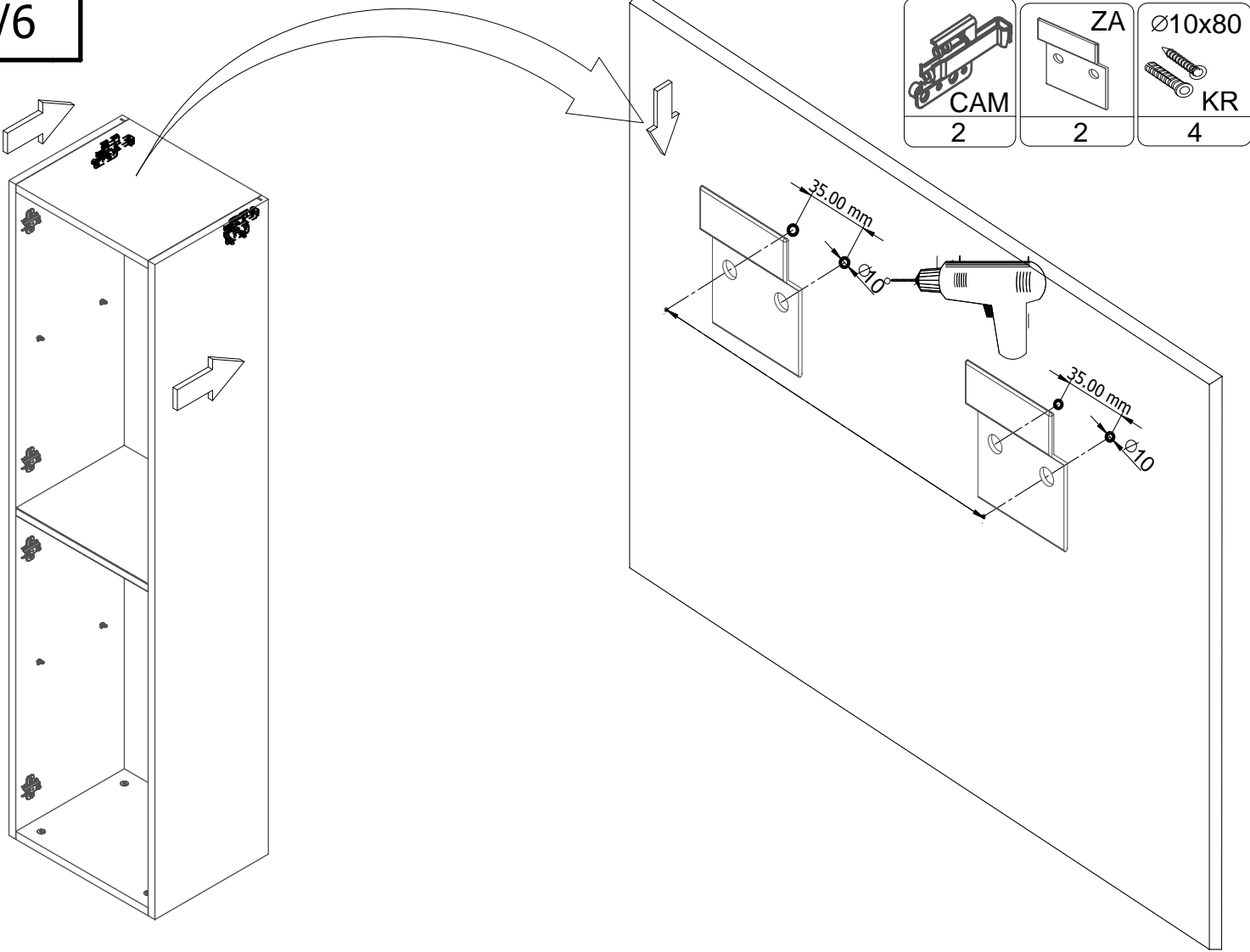




K30  12	M1  12	ZP  4	W4x16  8
---	--	---	--







UM	W3,5x16
2	4

