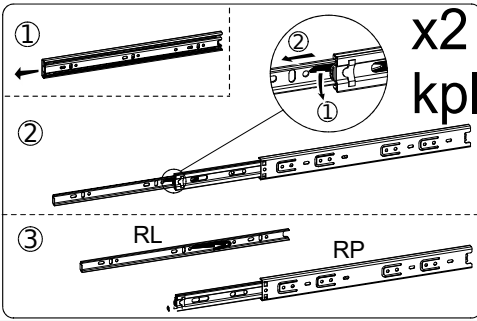
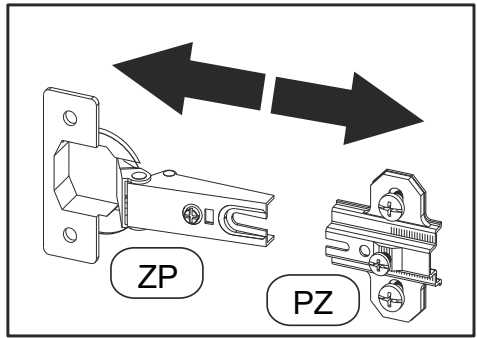
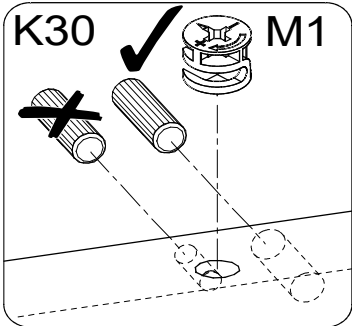
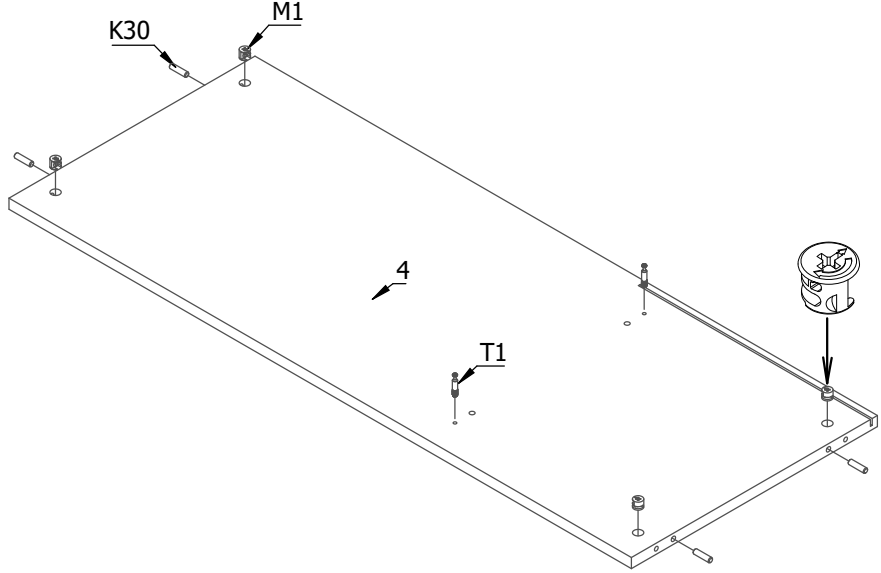
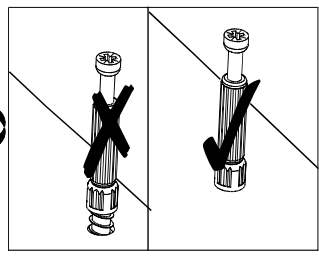
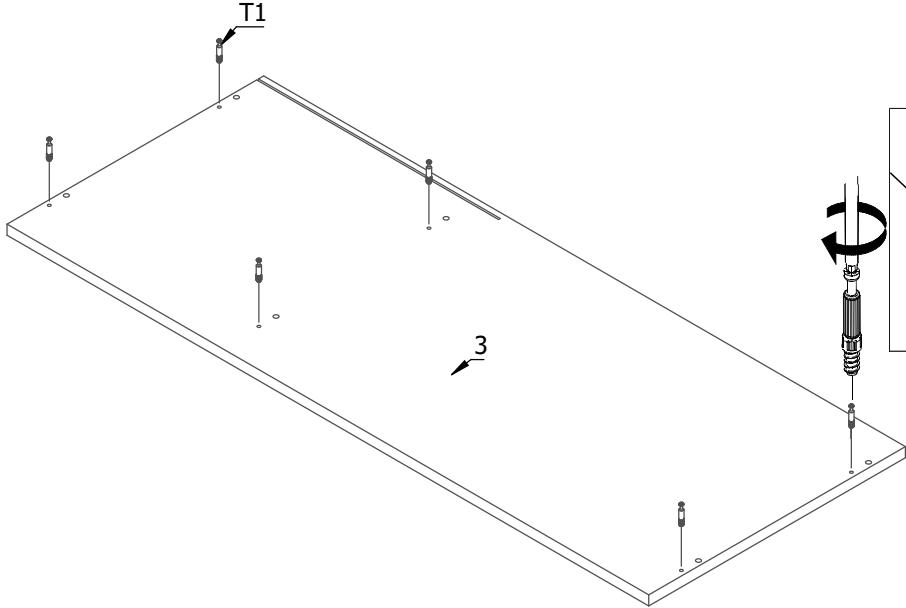

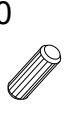





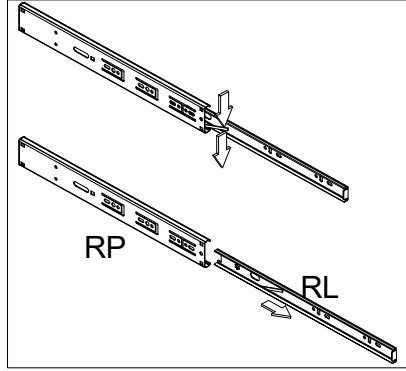
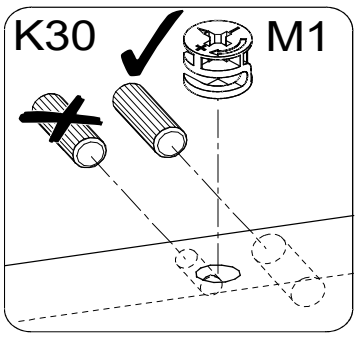
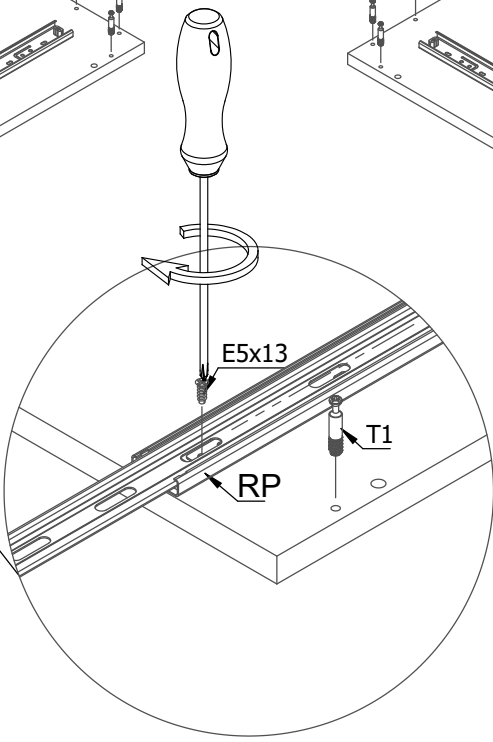
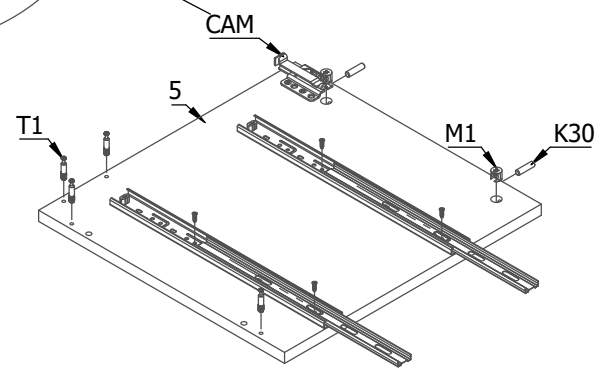
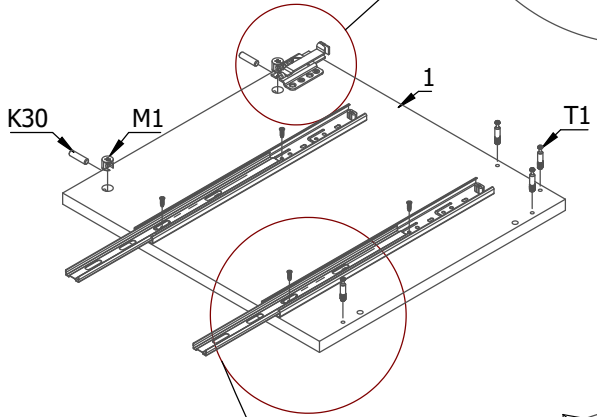
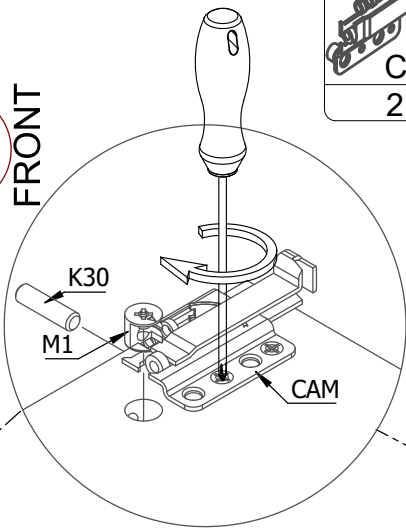
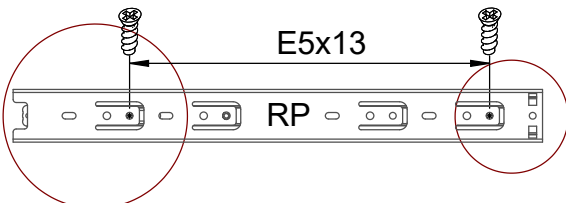
10x80 KR 6	KF50 6	Q 1	x 28	E5x13 16	UM L-304 2
K30 30	T1 28	M1 28	CAM 3	ZA 3	W3x13 2
W4x16 4	ZP 2	PZ 2	PP 4	UM L-220 1	W3,5x16 6

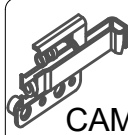

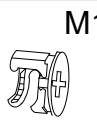



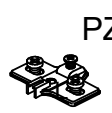
K30 4	M1 4	T1 8
----------	---------	---------

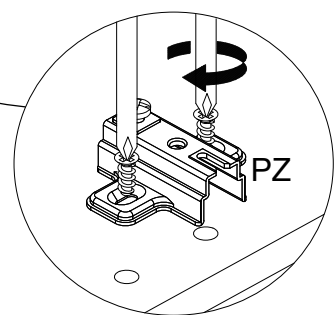
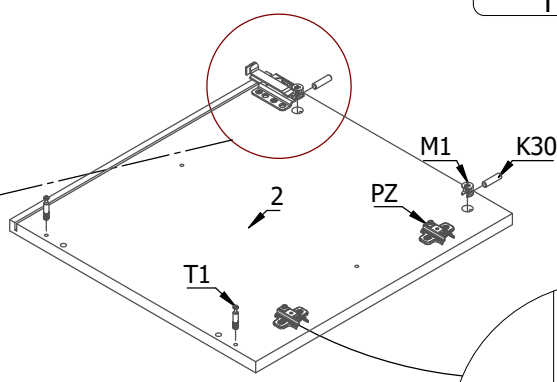
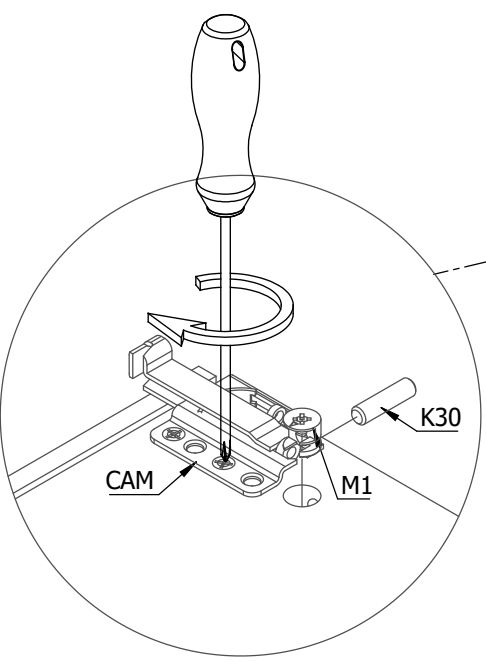











 CAM 2	 K30 4	 M1 4	 T1 8	 E5x13 8
---	--	---	---	--




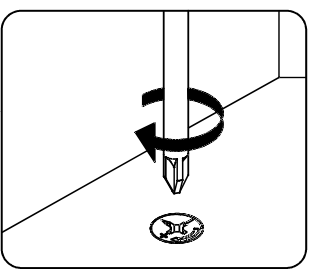
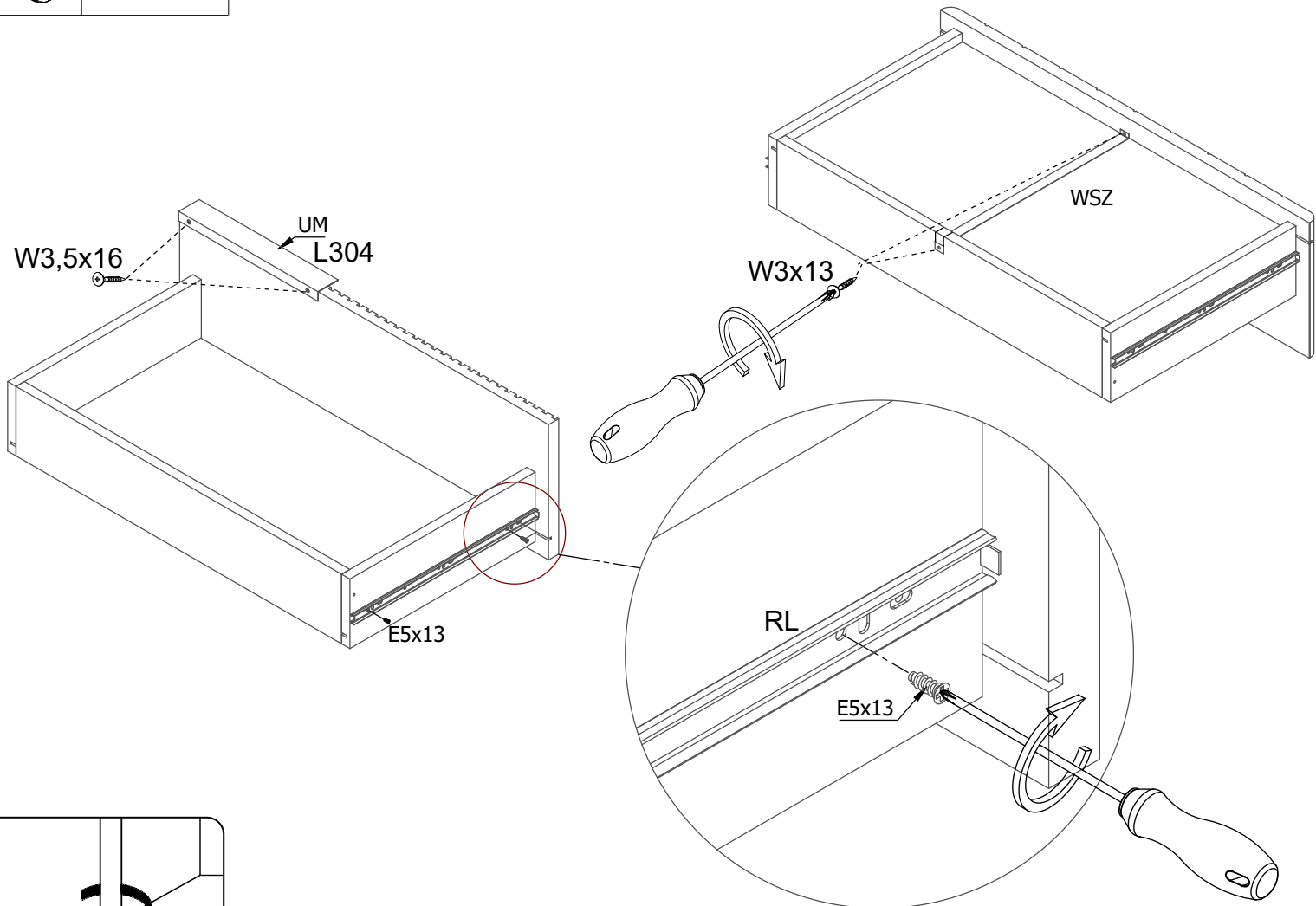
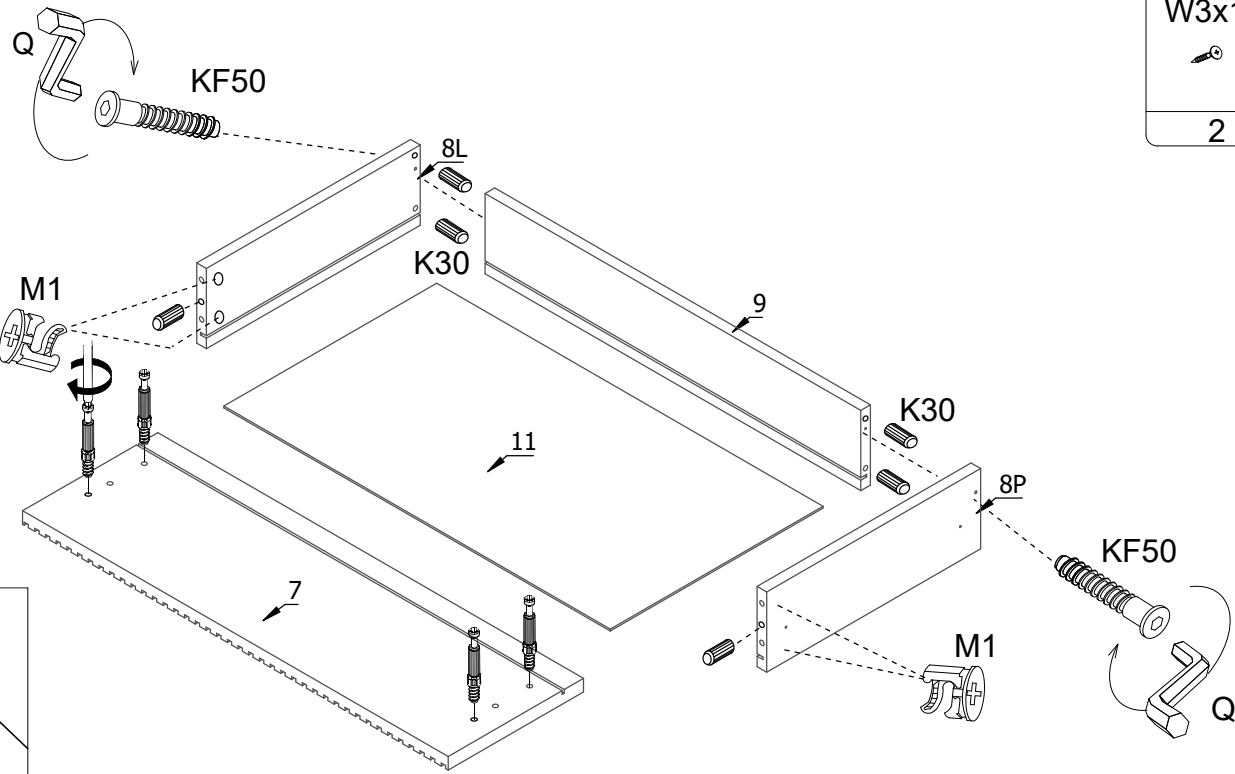
 CAM 1	 K30 2	 M1 2	 T1 2
---	---	--	--










 PZ 2
--

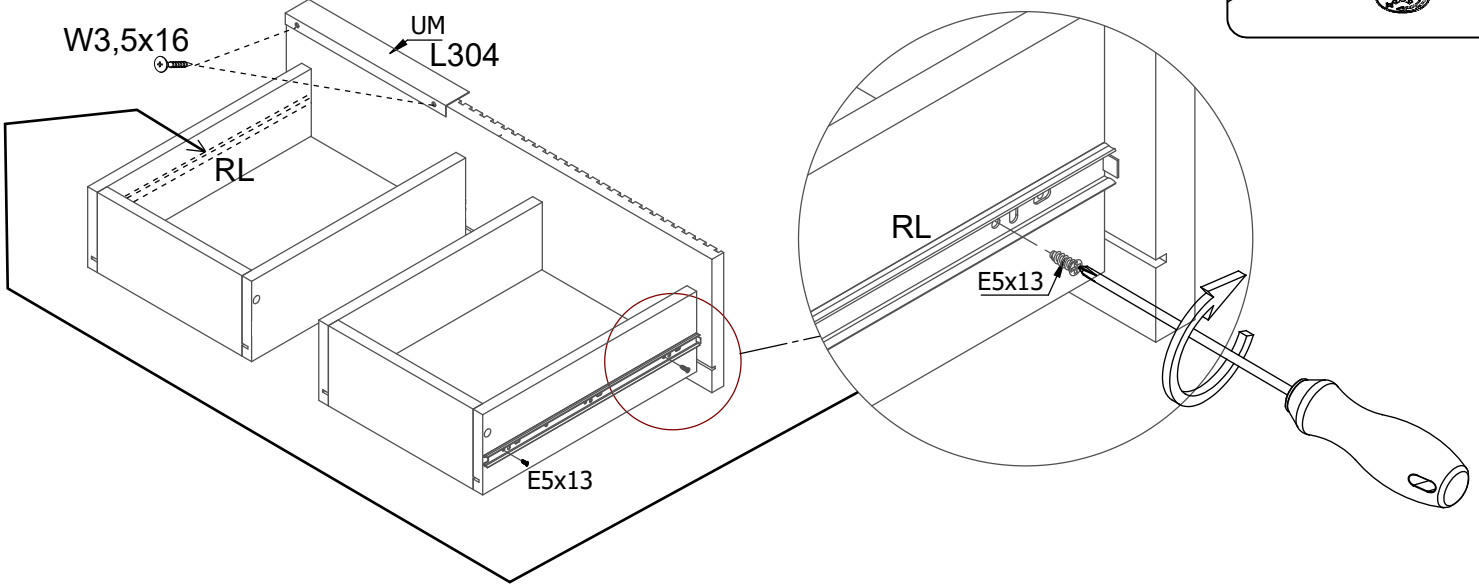
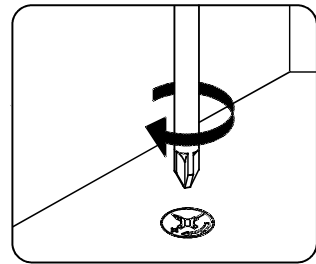
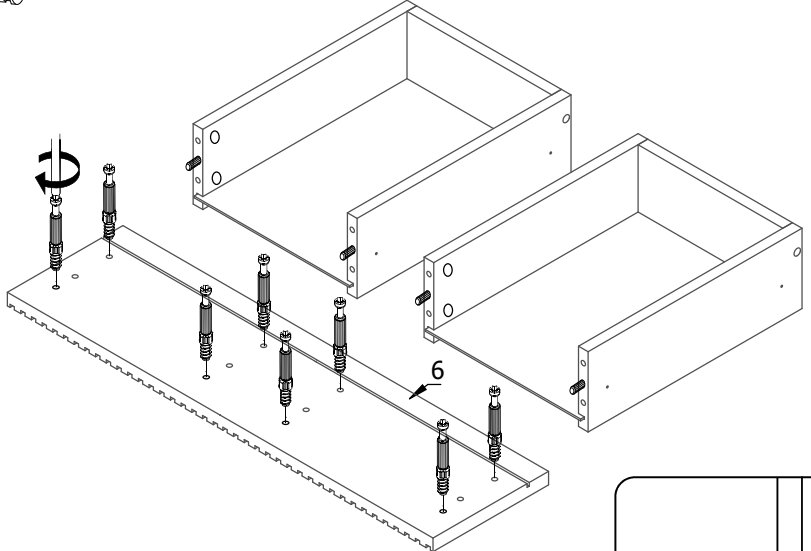
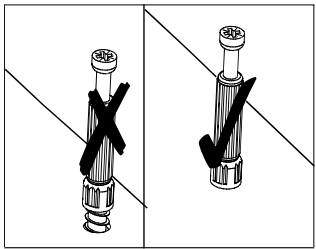
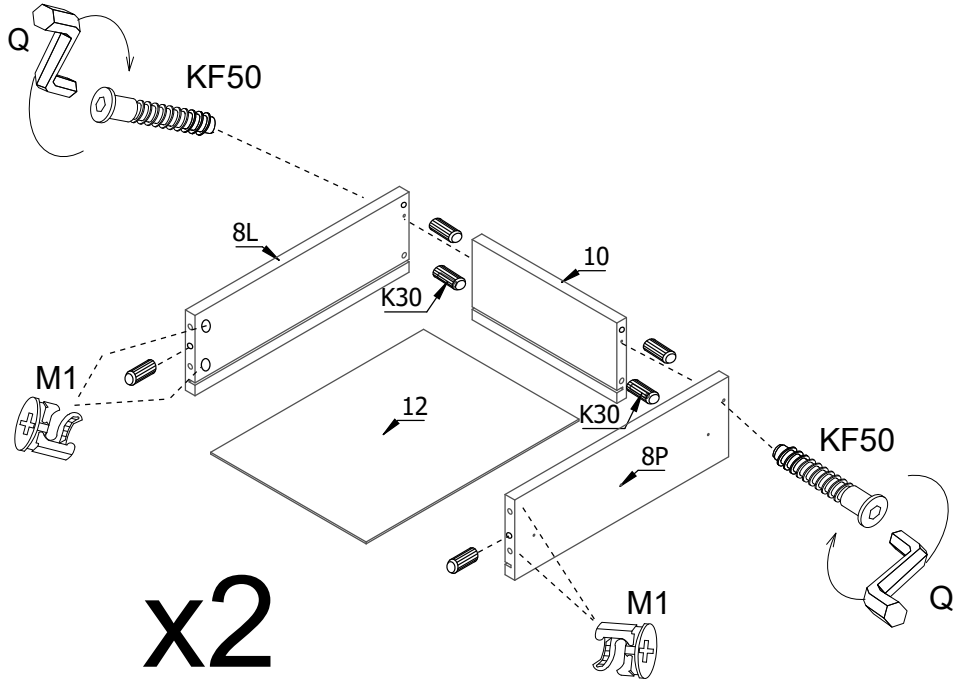


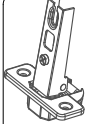

K30  6	M1  4	T1  4	E5x13  4	RL  2	Q  1	KF50  2	UM L304  1	W3,5x16  2
--	---	---	--	---	--	---	--	--

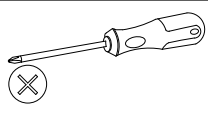
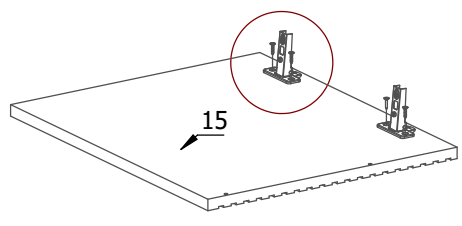
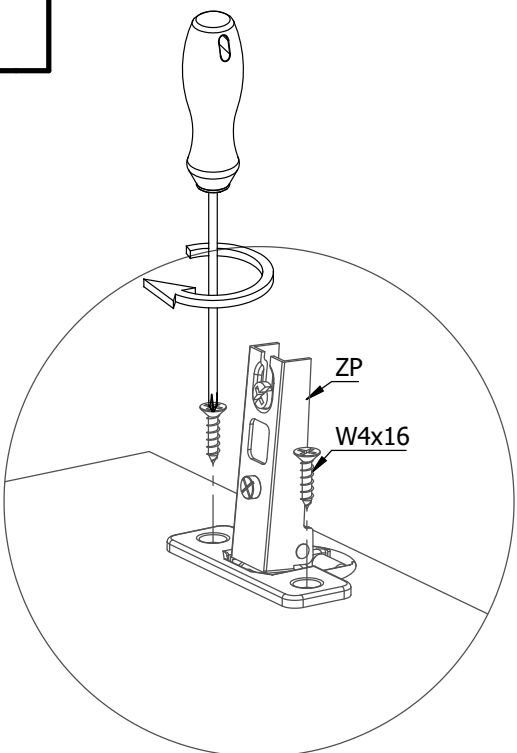
W3x13  2

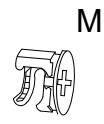


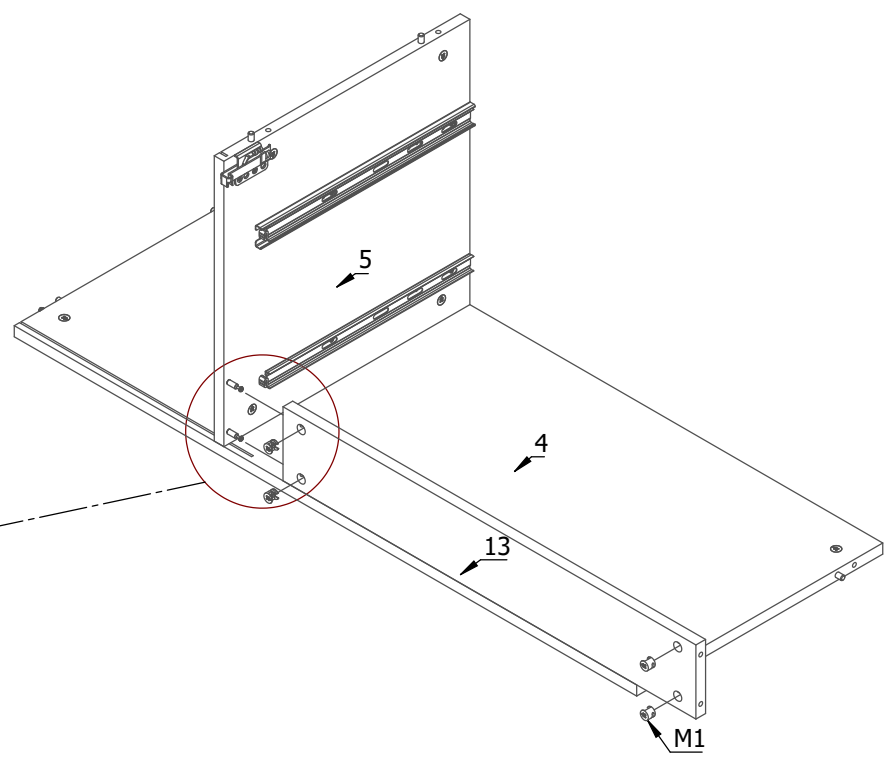
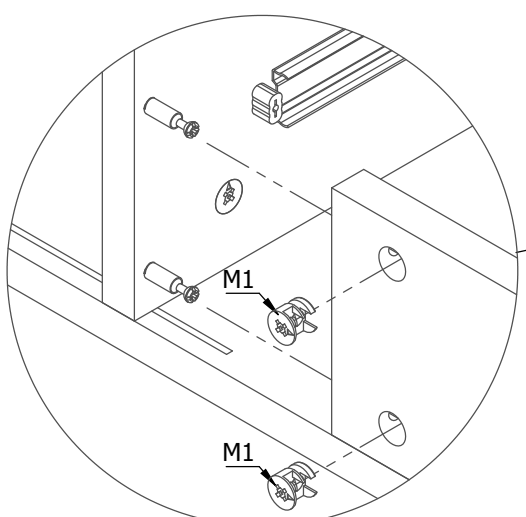
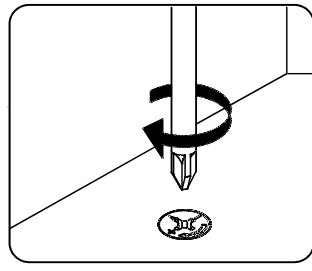
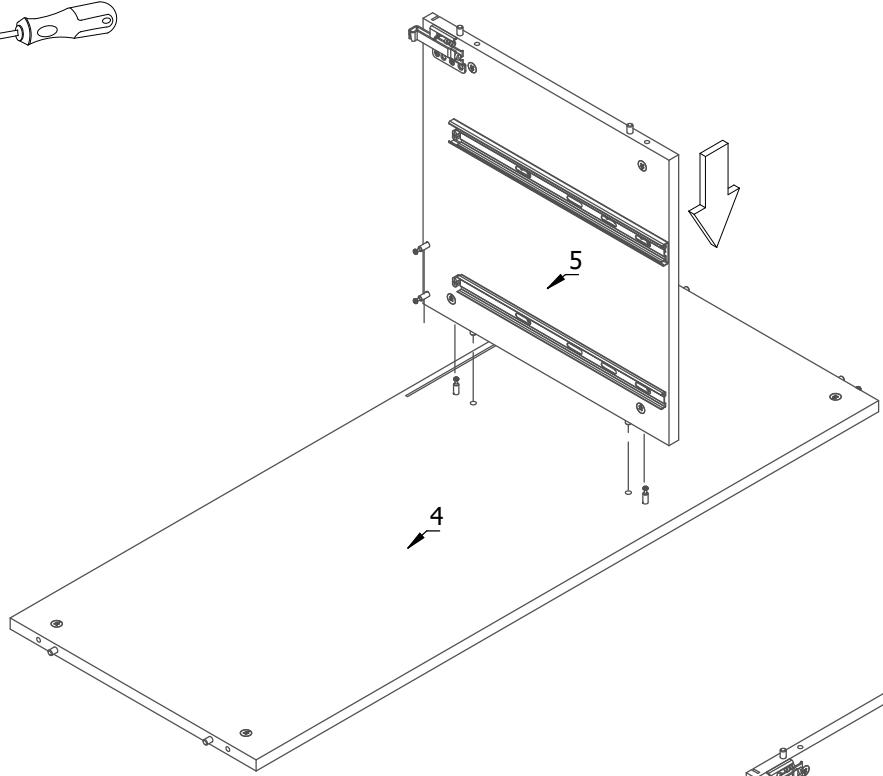
K30  12	M1  8	T1  8	E5x13  4	RL  2	Q  1	KF50  4	UM  1	W3,5x16  2
---	---	---	--	---	--	---	---	--

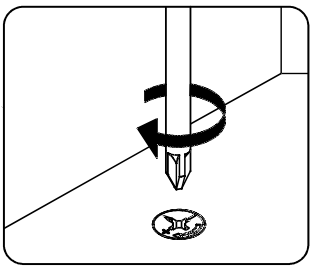
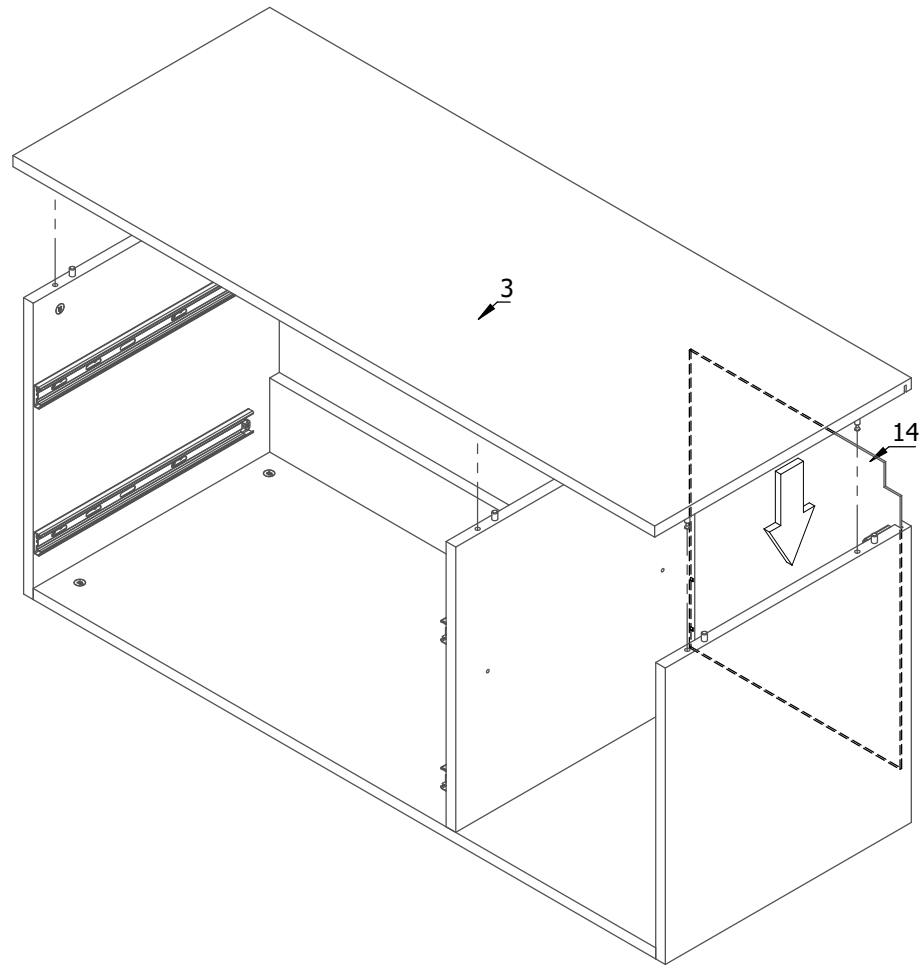
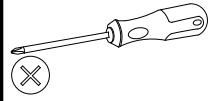
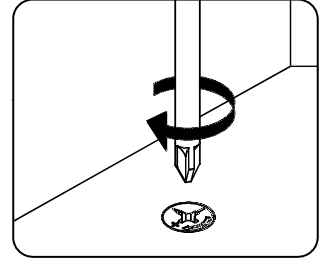
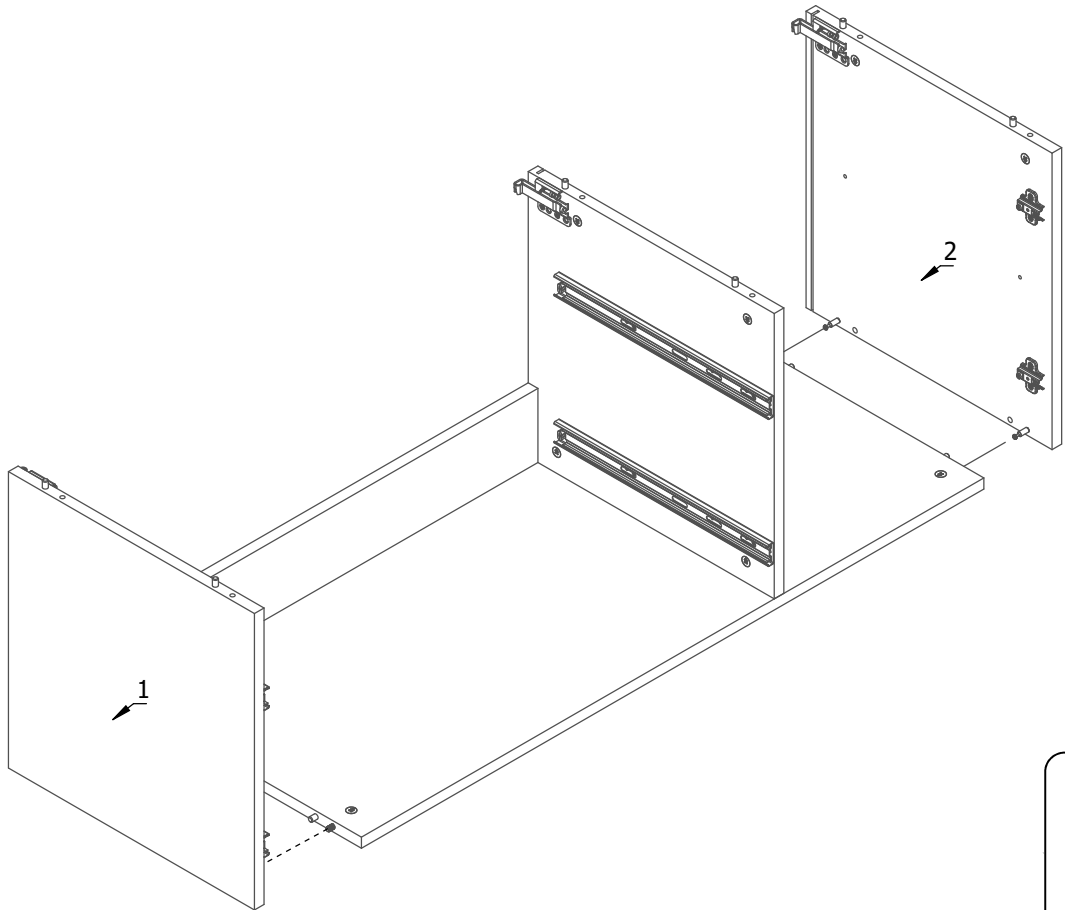
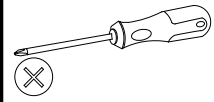



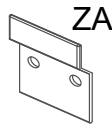
 ZP	 W4x16
2	4

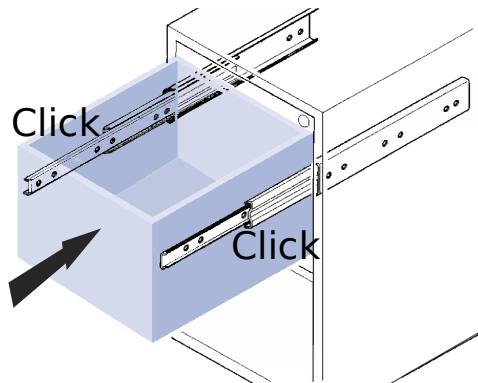
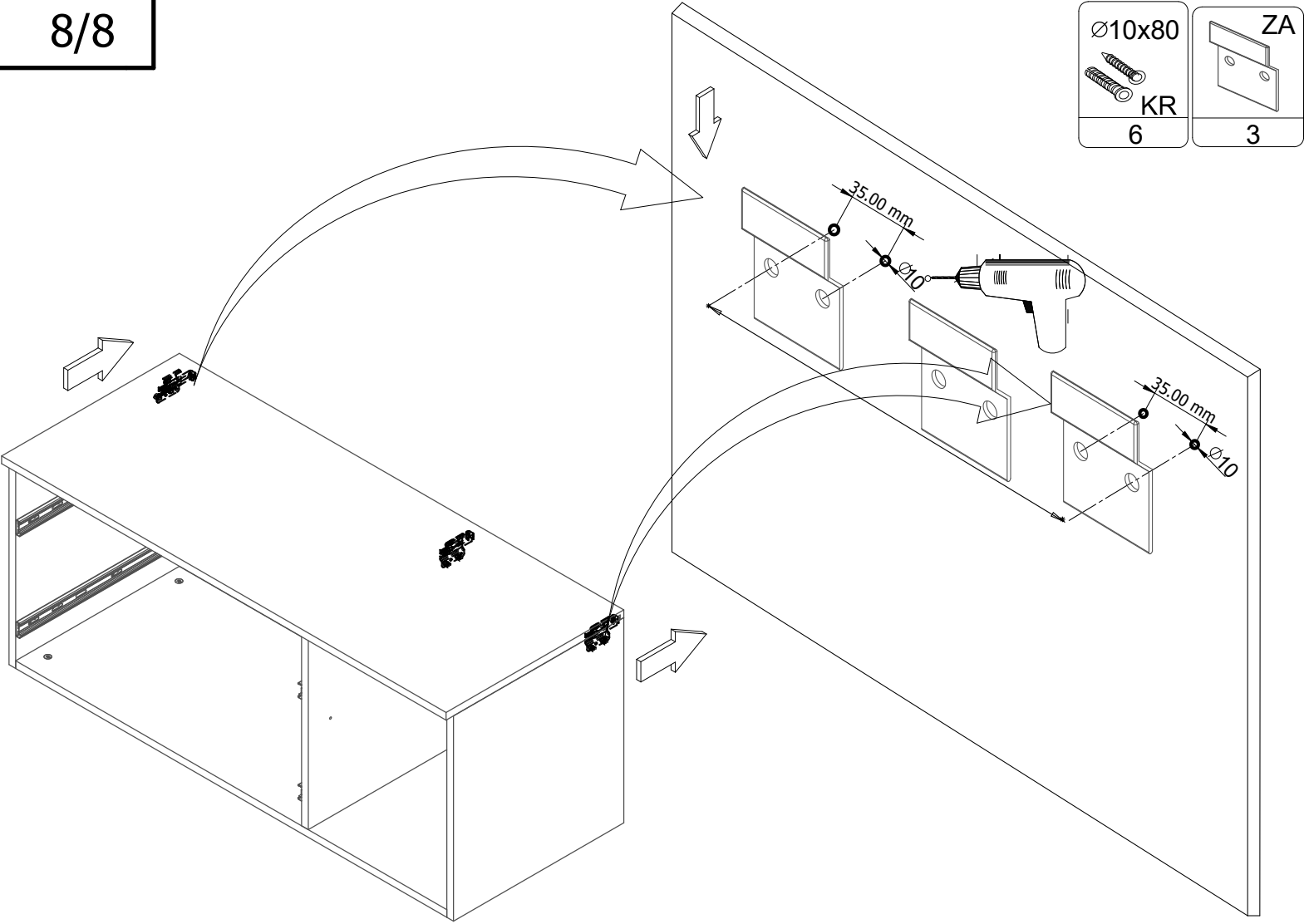





 M1
4





 KR 6	 ZA 3
---	---



 PP 4	 UM L220 1	 W3,5x16 2
--	--	---

