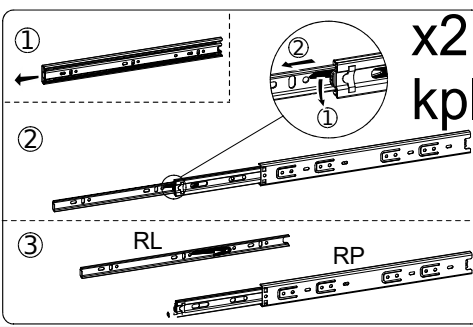
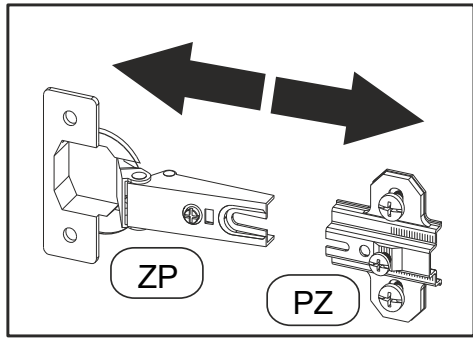
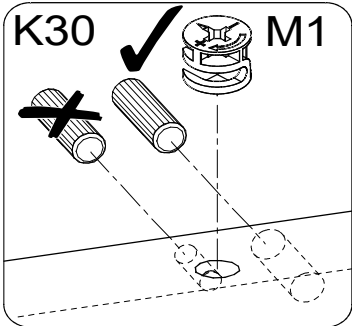
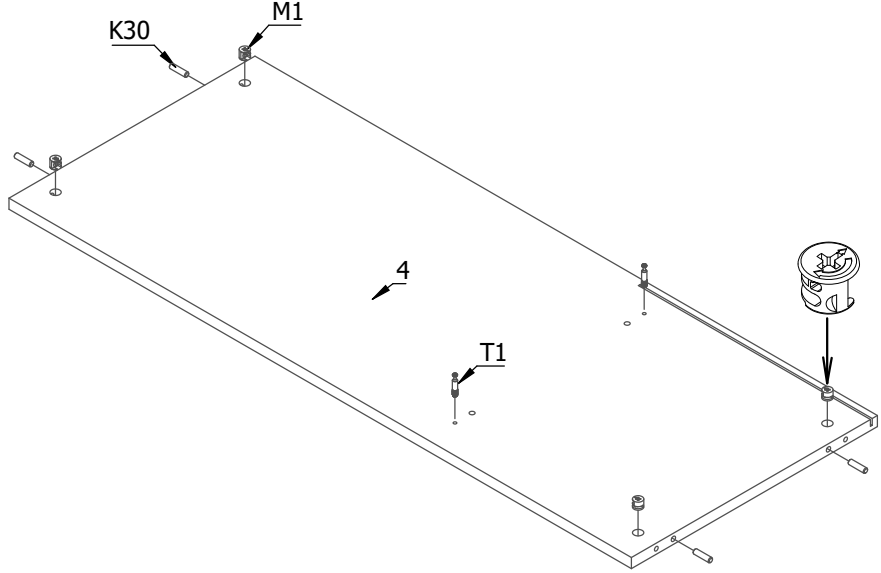
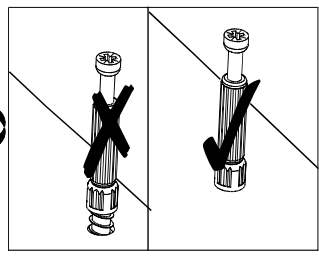
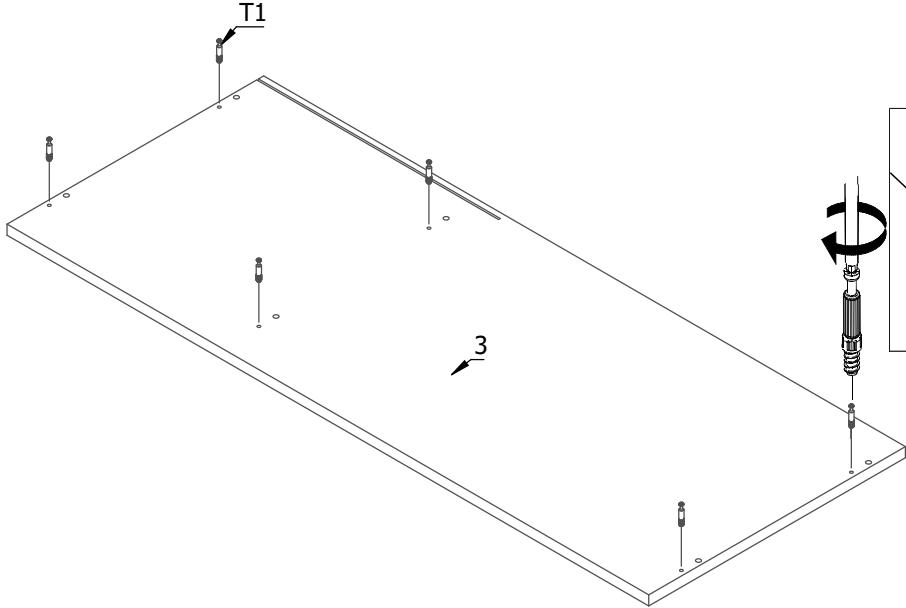

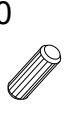





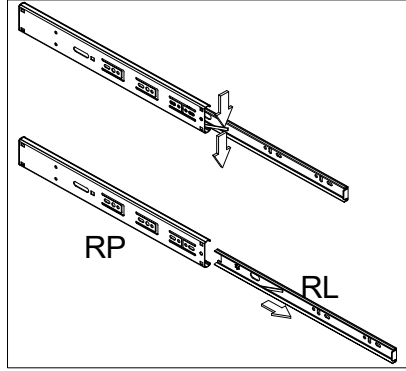
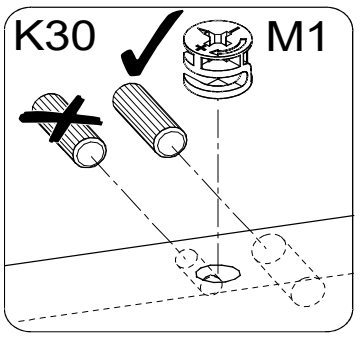
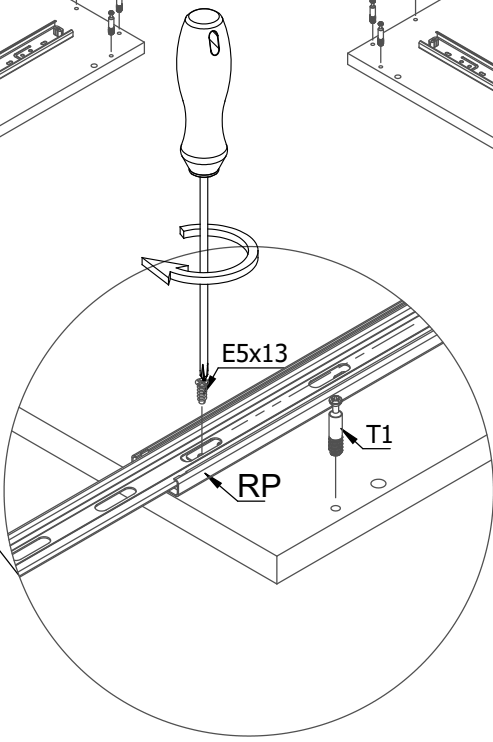
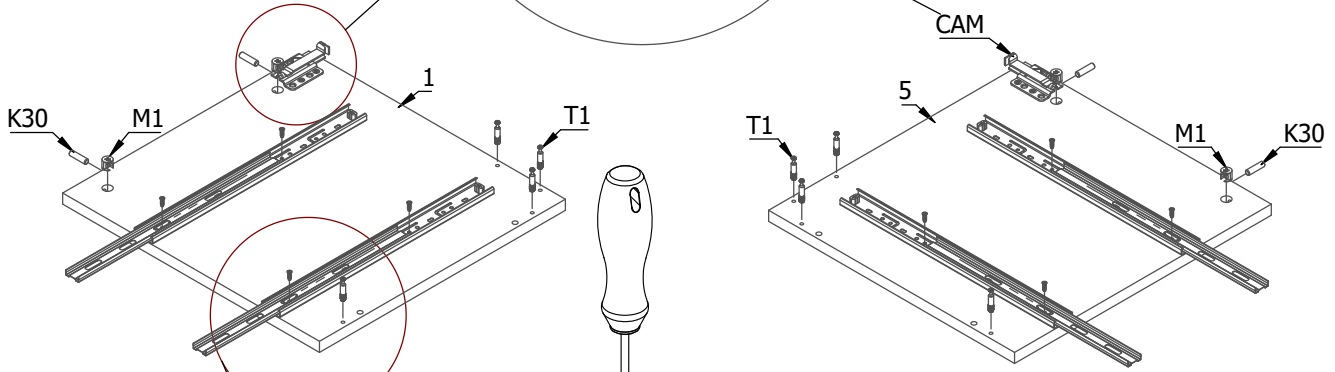
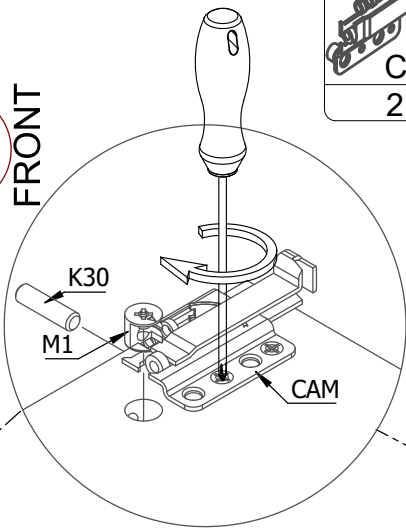
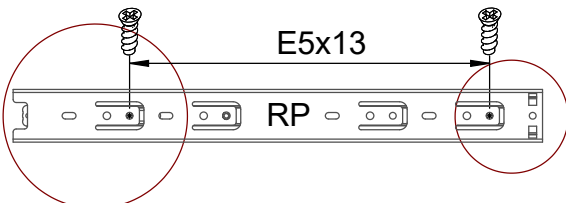
<p>10x80 KR 6</p>	<p>KF50 6</p>	<p>Q 1</p>	<p>x 28</p>	<p>E5x13 16</p>	<p>UM L-304 2</p>
<p>K30 30</p>	<p>T1 28</p>	<p>M1 28</p>	<p>CAM 3</p>	<p>ZA 3</p>	<p>W3x13 2</p>
<p>W4x16 4</p>	<p>ZP 2</p>	<p>PZ 2</p>	<p>PP 4</p>	<p>UM L-220 1</p>	<p>W3,5x16 6</p>

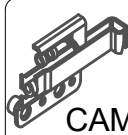

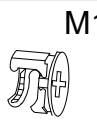
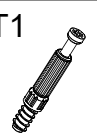


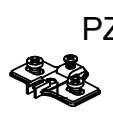
<p>K30 4</p>	<p>M1 4</p>	<p>T1 8</p>
------------------	-----------------	-----------------

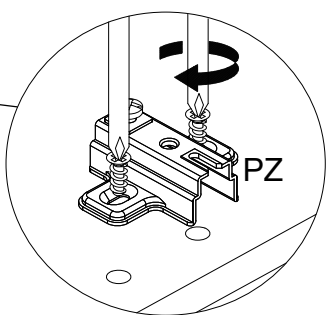
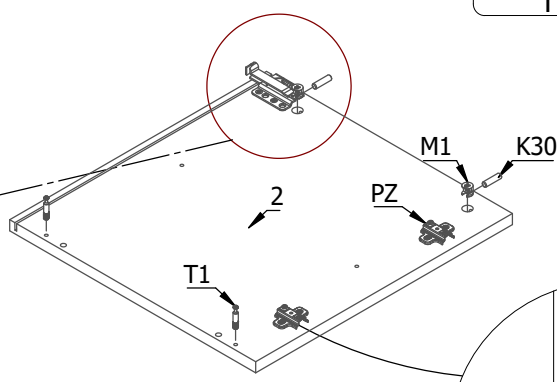
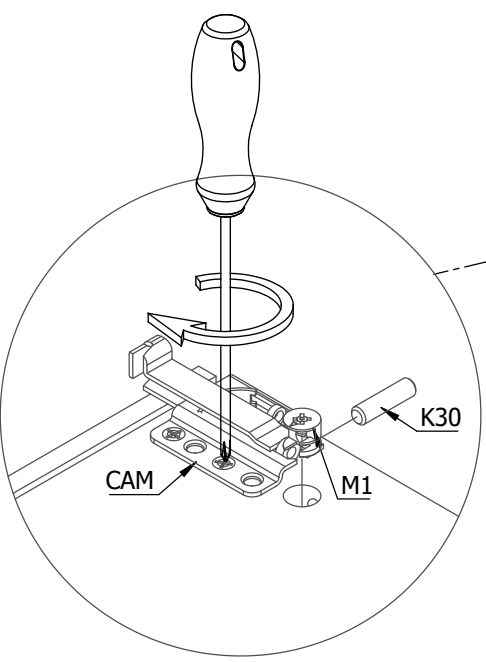











 CAM 2	 K30 4	 M1 4	 T1 8	 E5x13 8
---	--	---	---	--

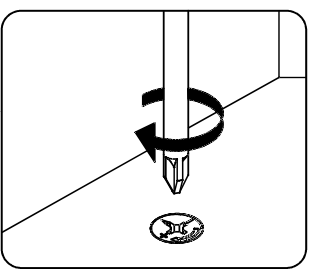
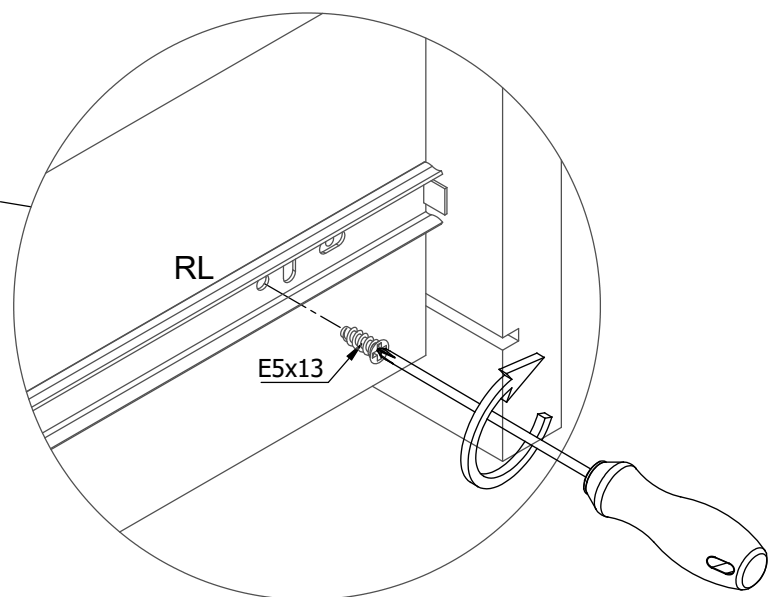
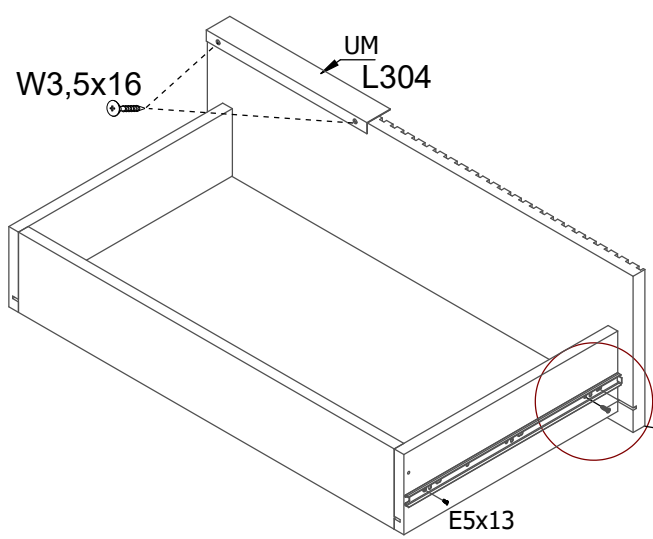
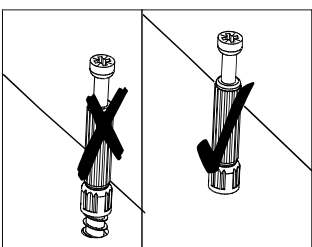
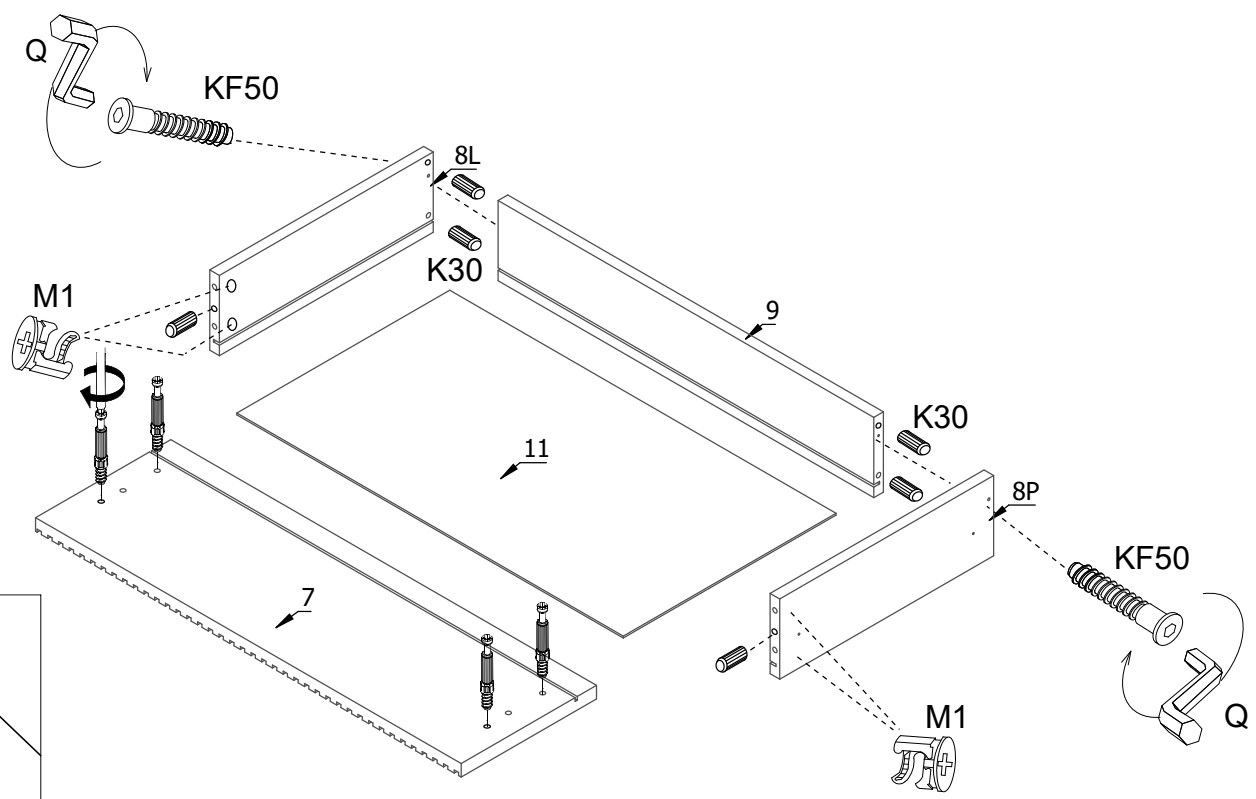











 CAM 1	 K30 2	 M1 2	 T1 2
---	---	--	--

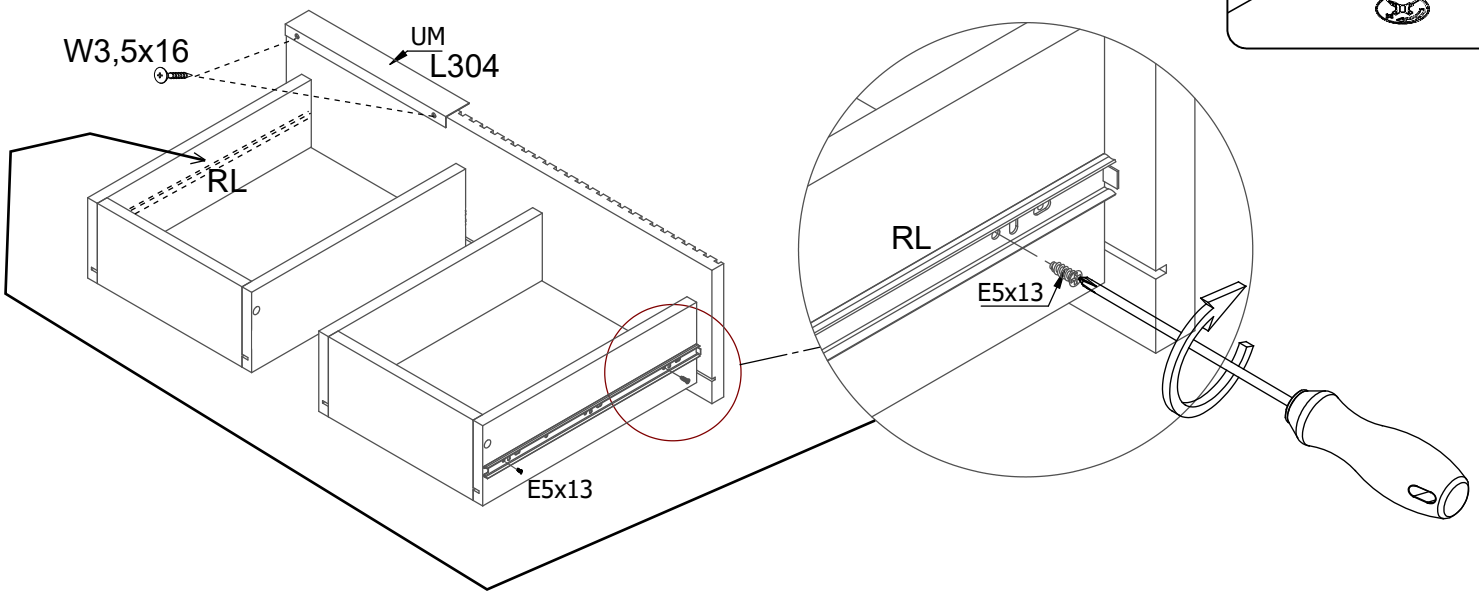
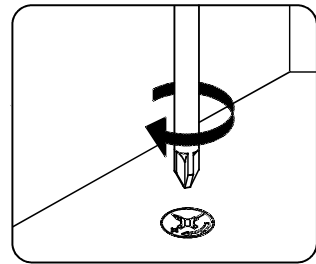
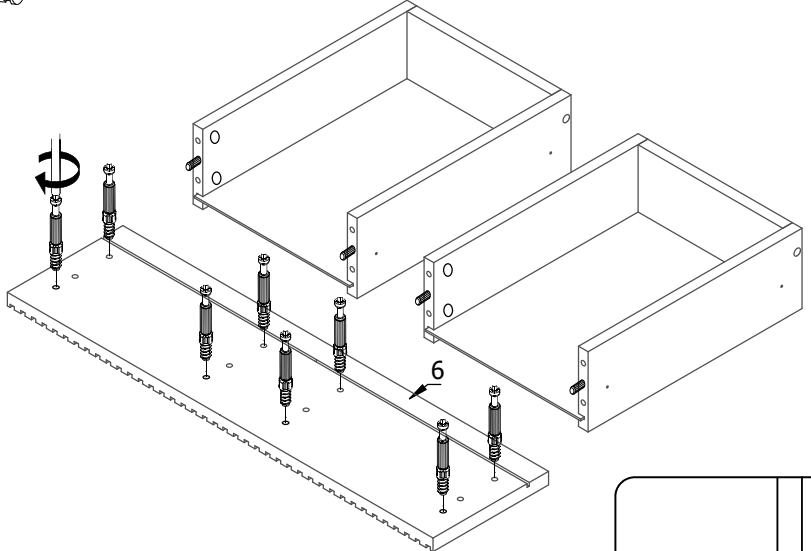
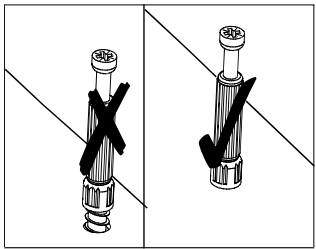
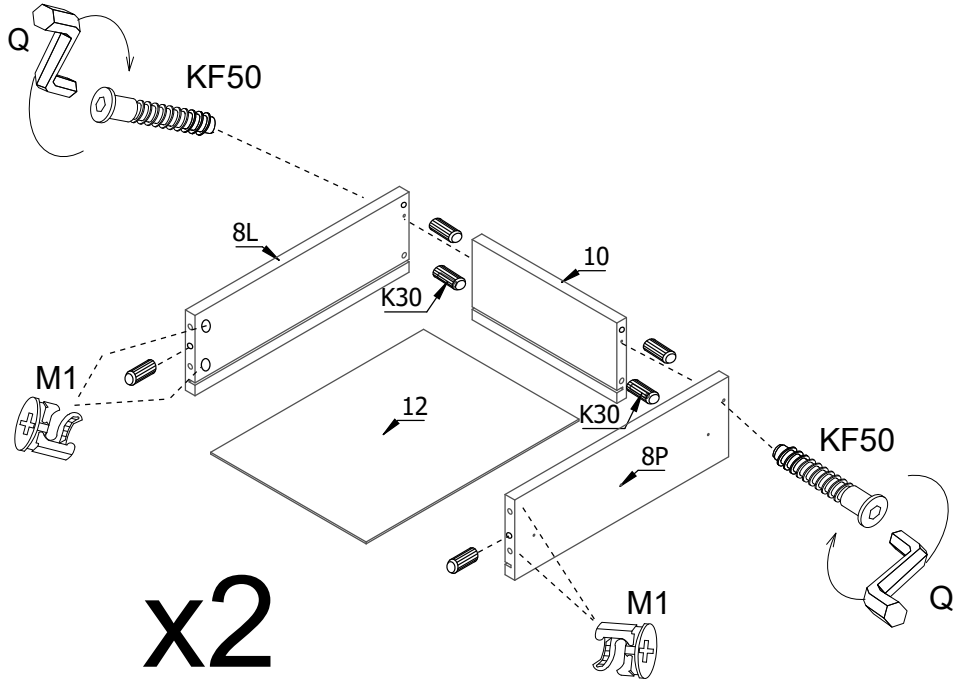
 PZ 2
--

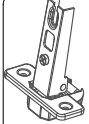



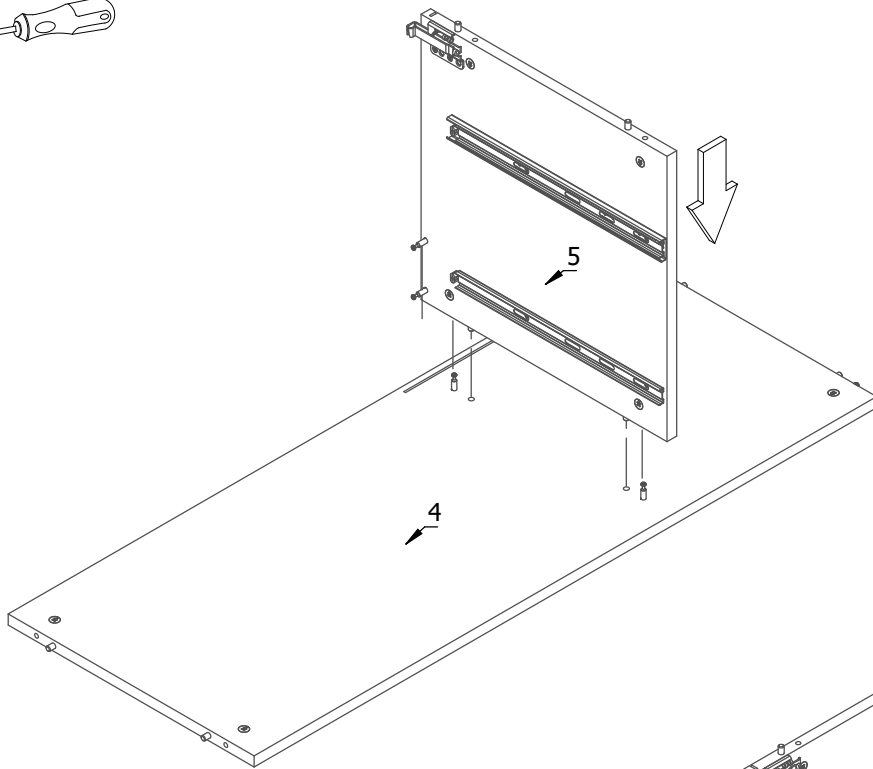
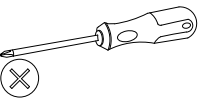
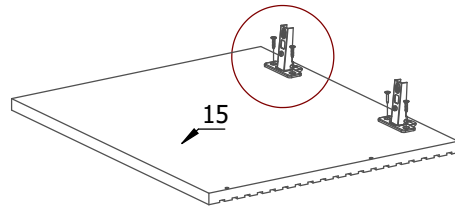
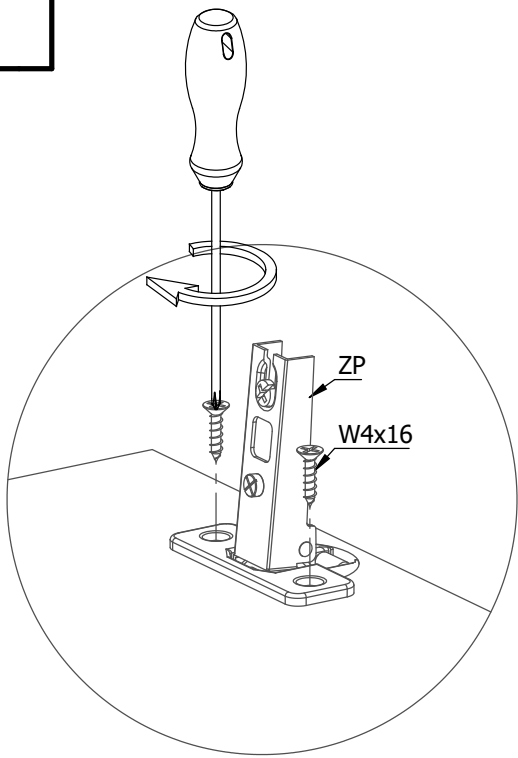
K30  6	M1  4	T1  4	E5x13  4	RL  2	Q  1	KF50  2	UM  1	W3,5x16  2
---	--	--	---	--	---	--	--	---

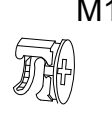


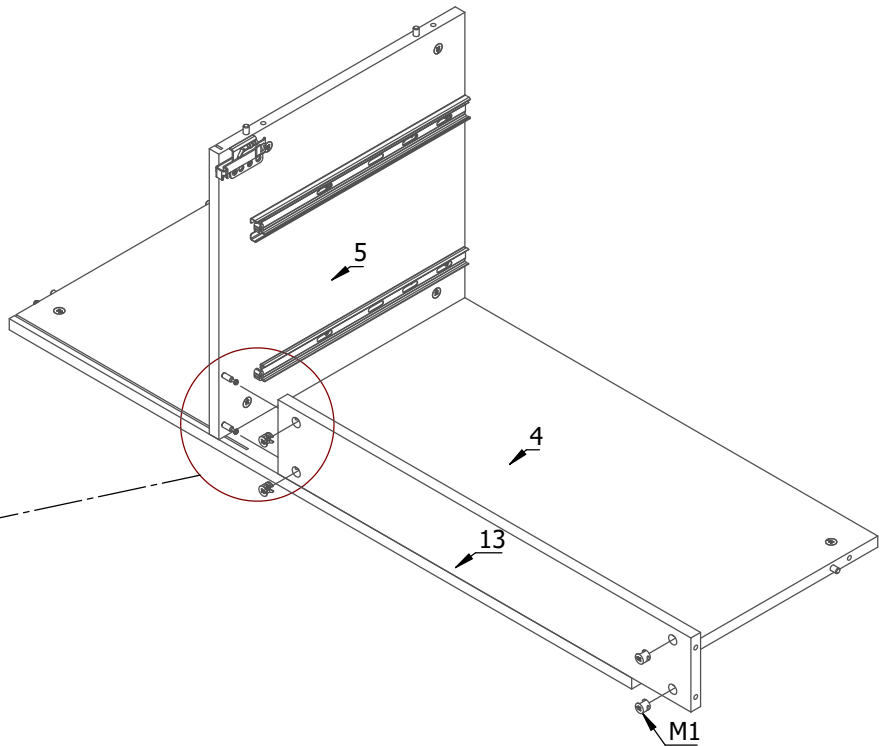
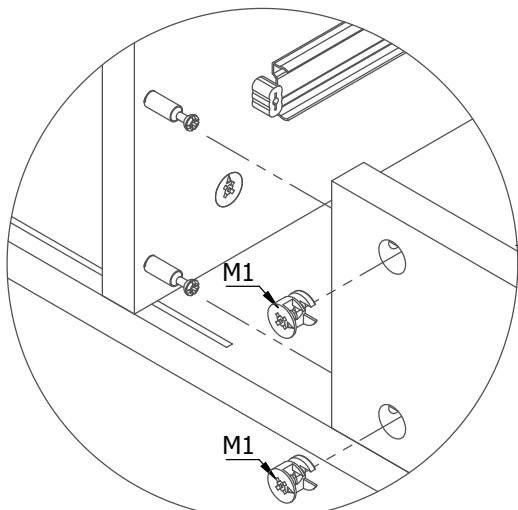
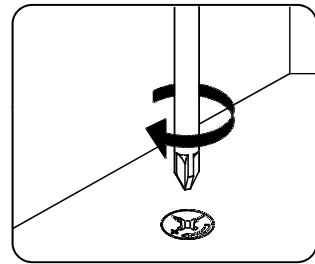
K30  12	M1  8	T1  8	E5x13  4	RL  2	Q  1	KF50  4	UM  1	W3,5x16  2
---	---	---	--	---	--	---	---	--

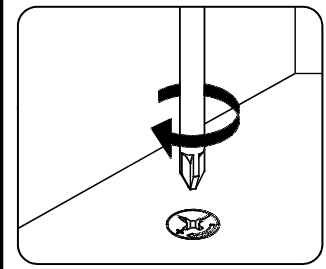
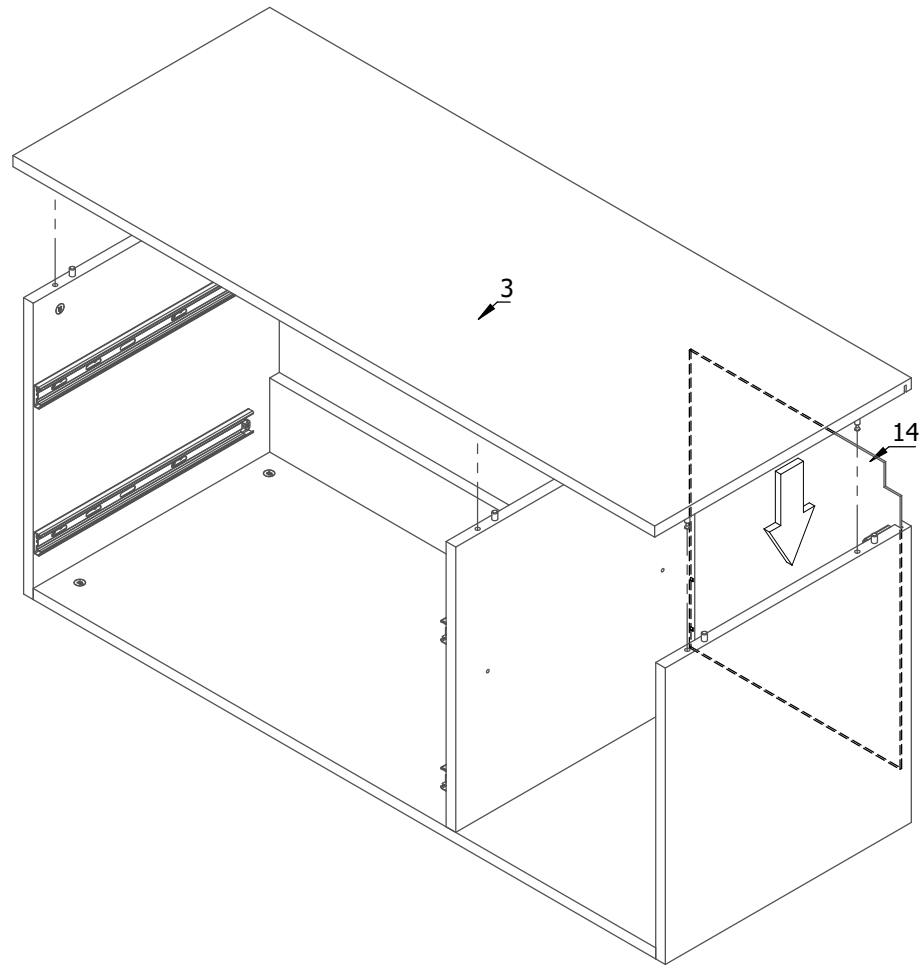
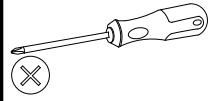
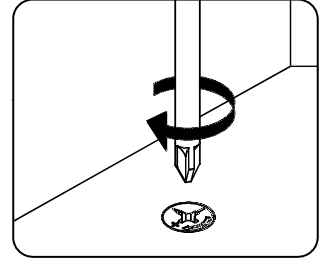
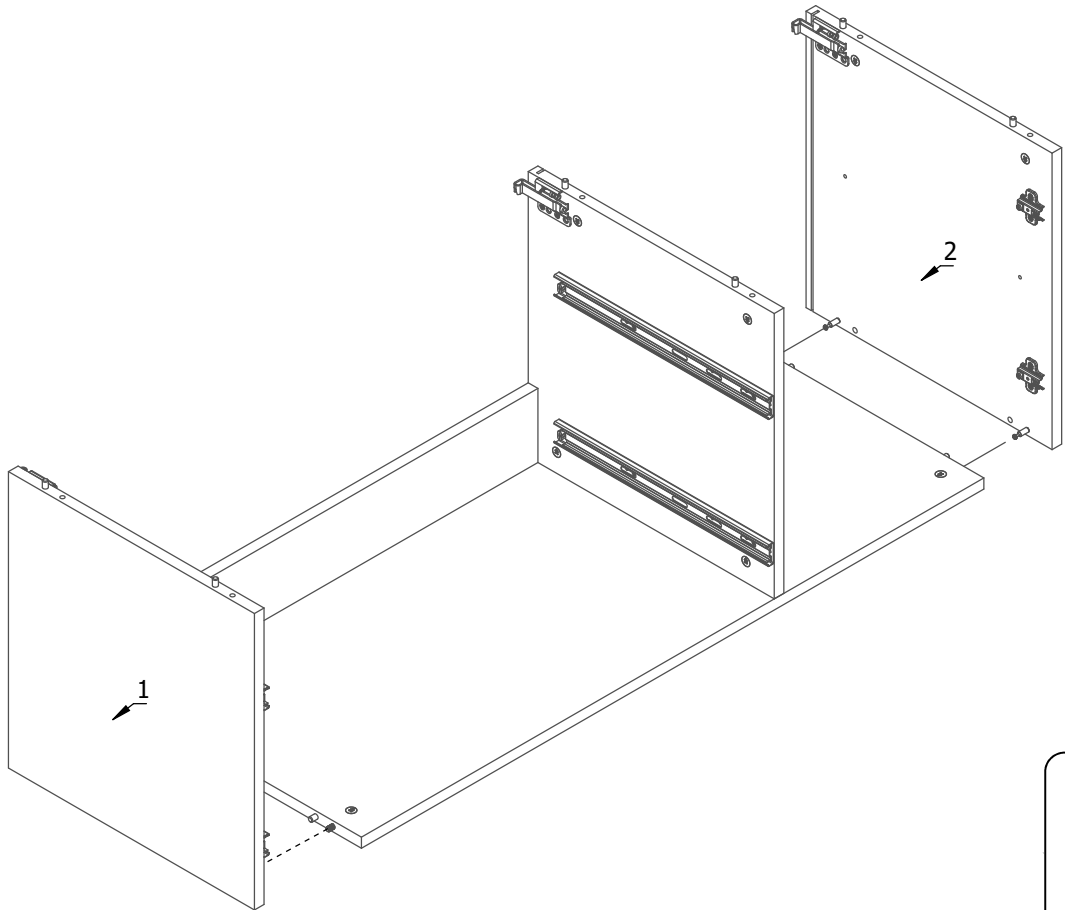
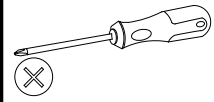



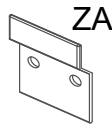
 ZP	 W4x16
2	4

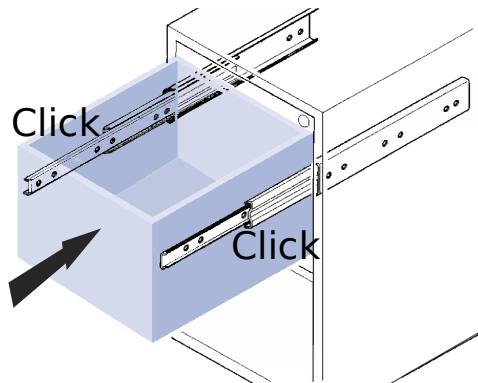
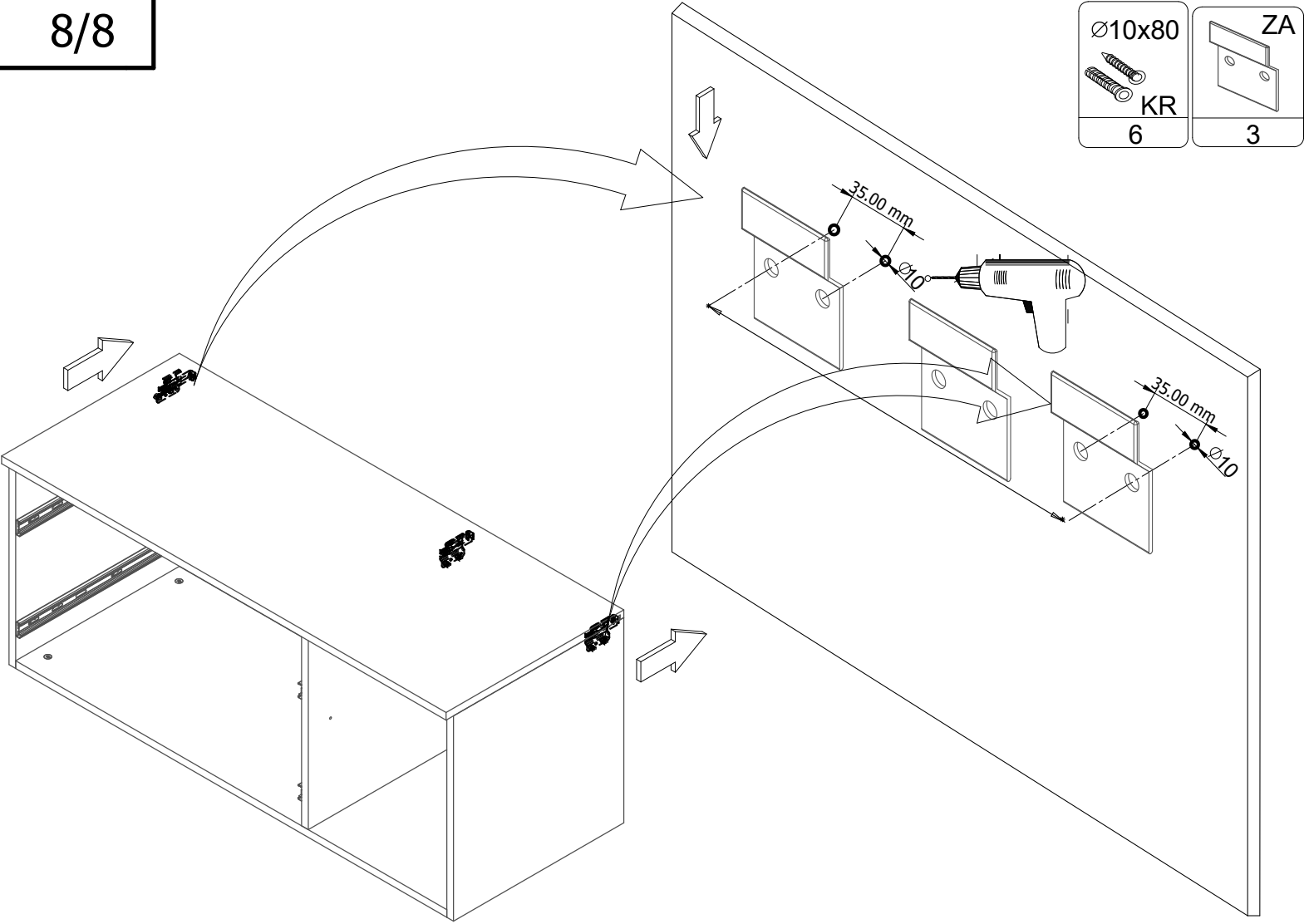





 M1
4





 Ø10x80 KR 6	 ZA 3
---	---



 PP 4	 UM L220 1	 W3,5x16 2
--	--	---

