

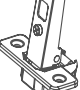

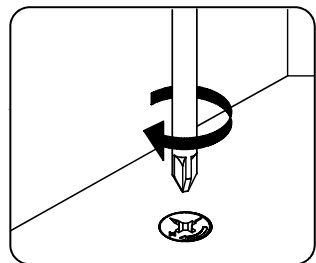
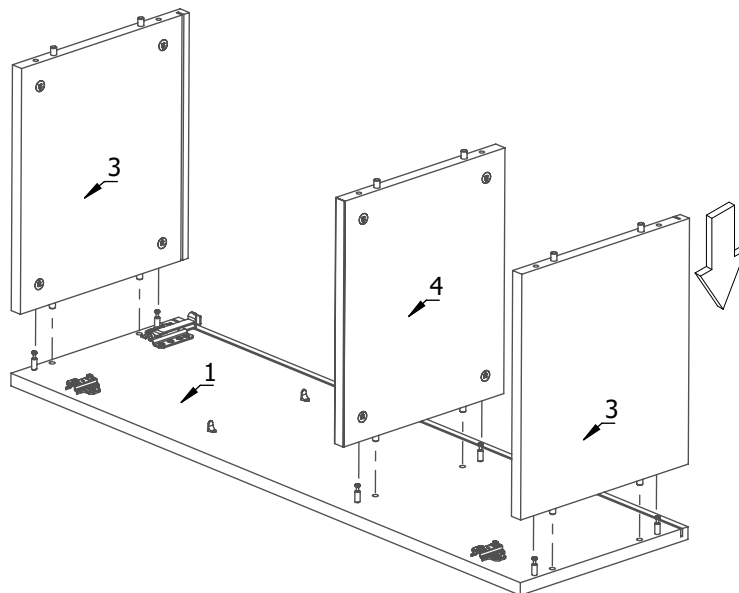
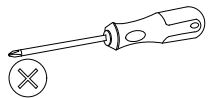
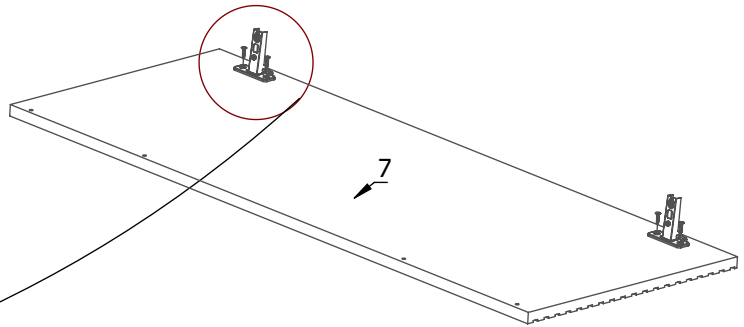
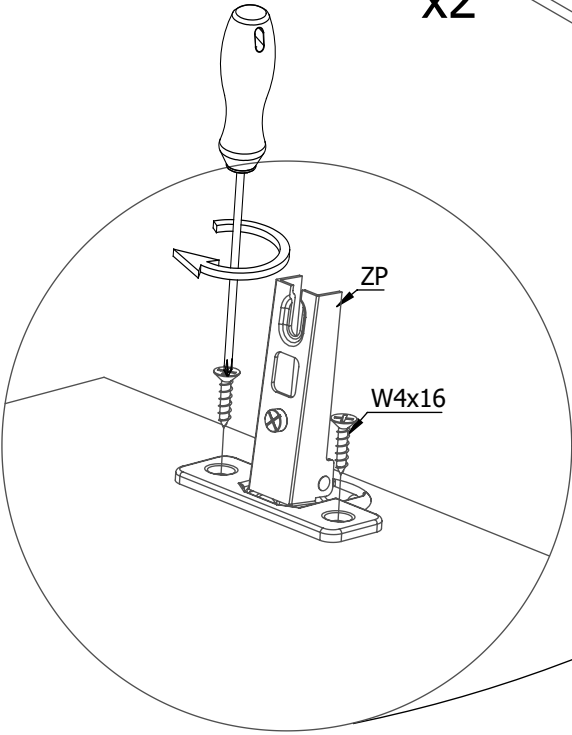
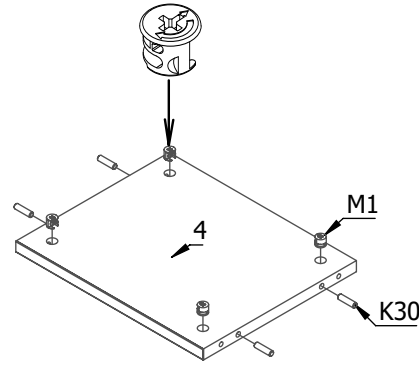
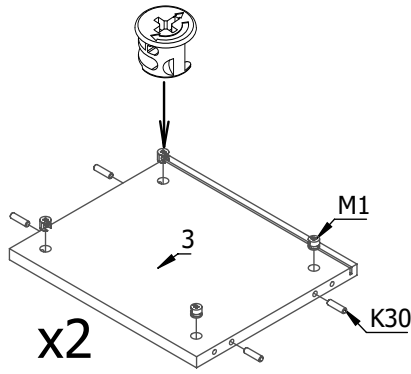
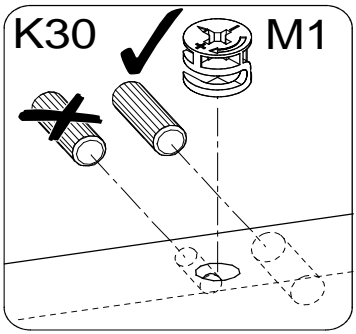


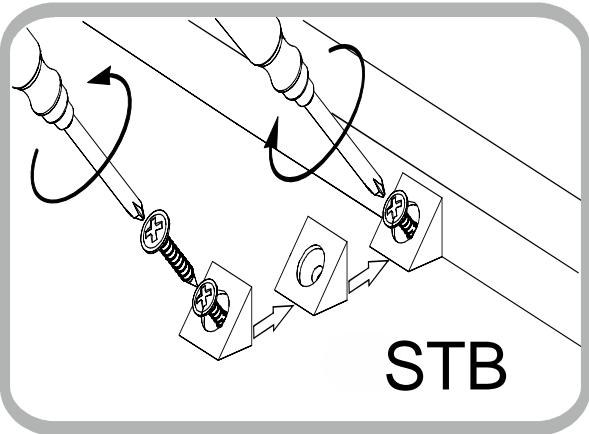
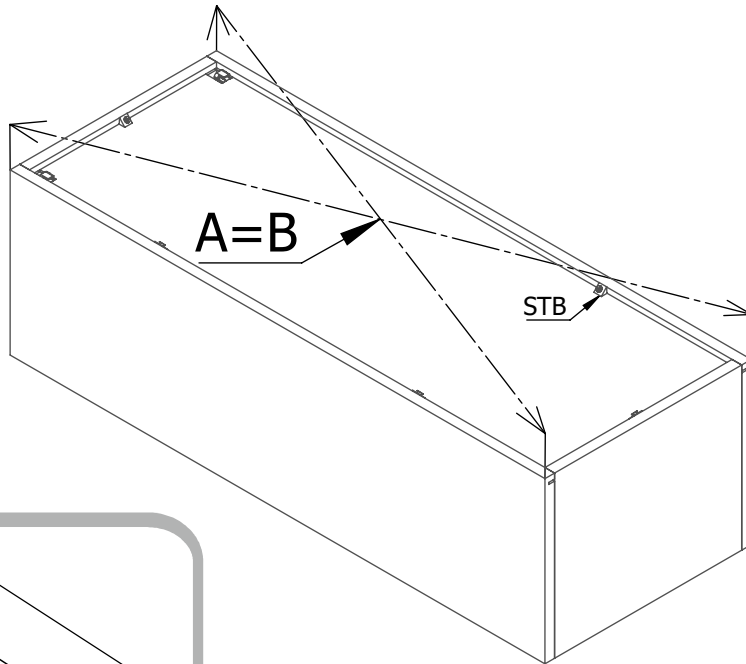
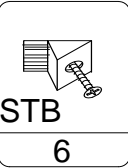
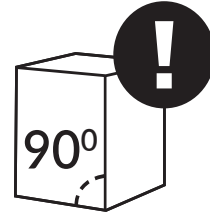
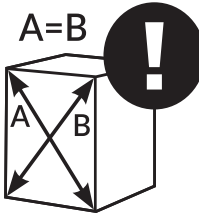
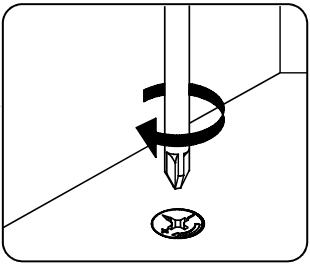
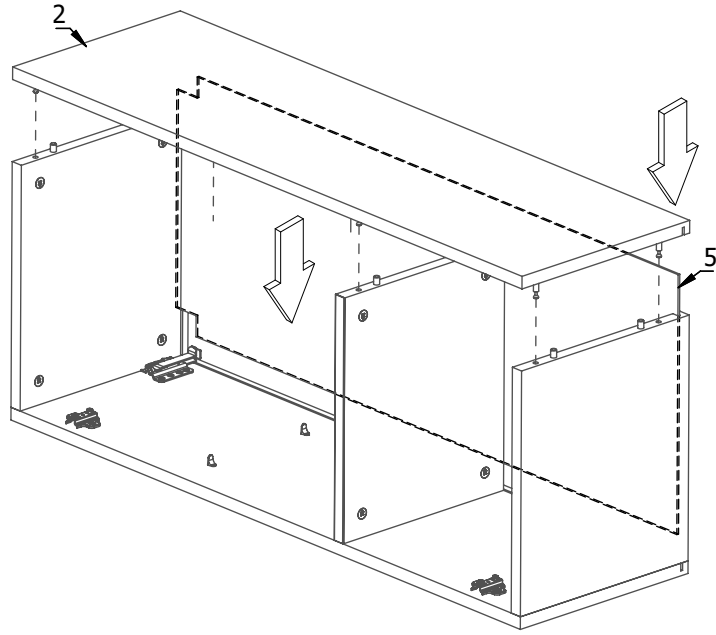
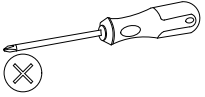
K30

12

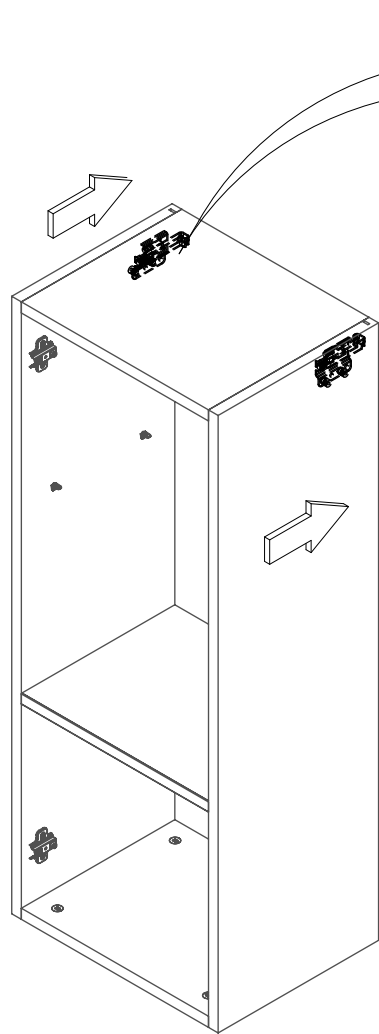
M1

12


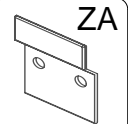

ZP

2

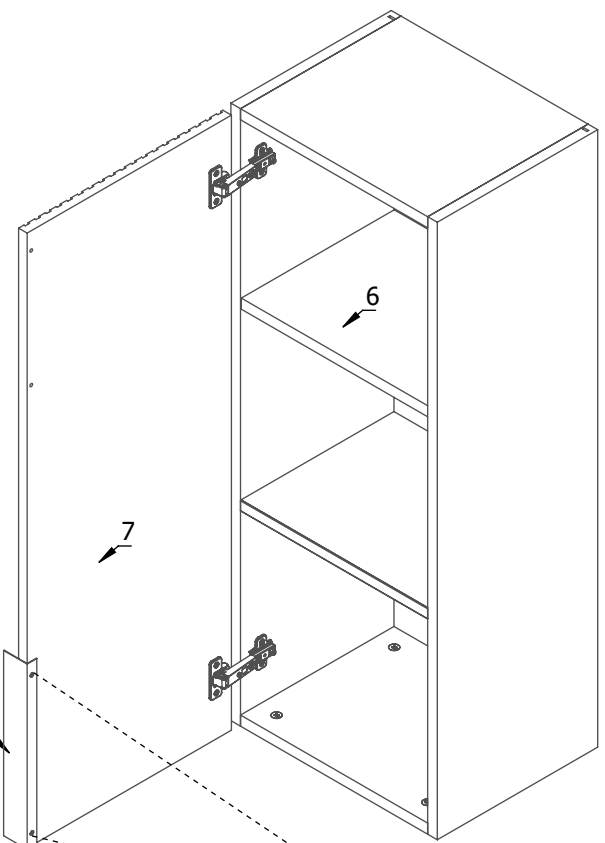
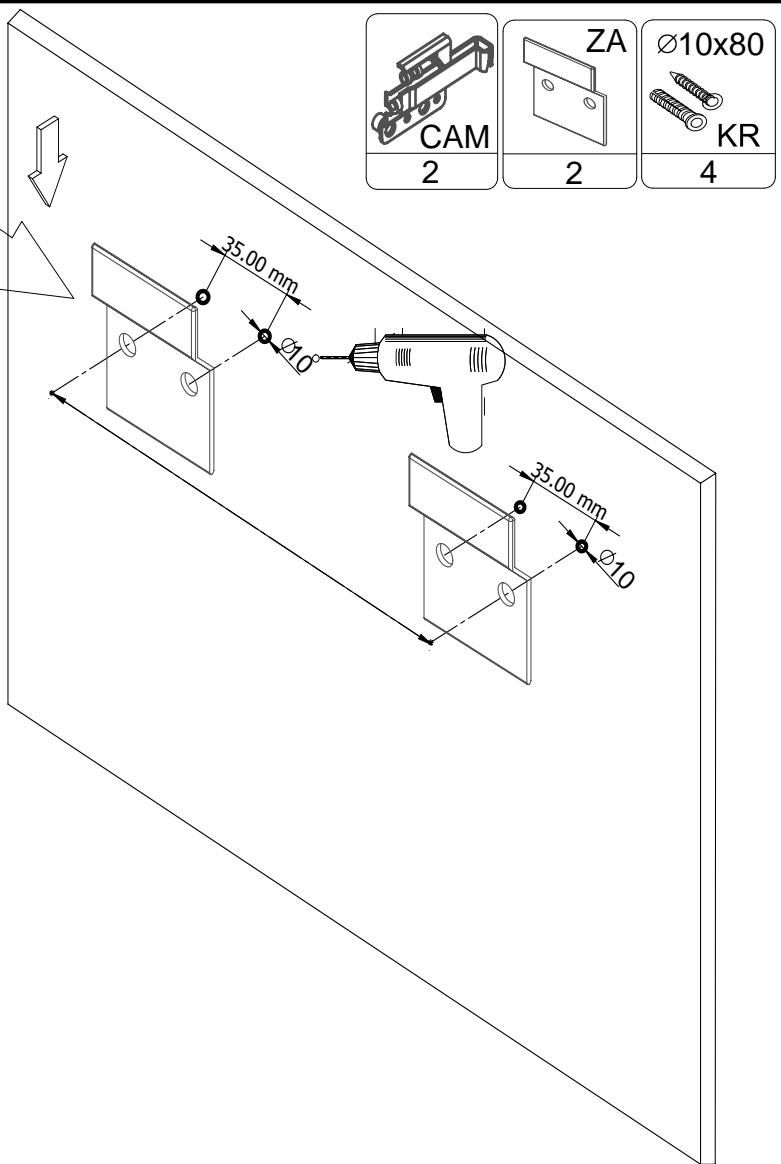
W4x16

4

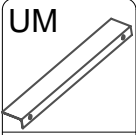
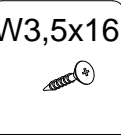






 CAM 2	 ZA 2	 Ø10x80 KR 4
--	---	---



 UM 1	 W3,5x16 2
--	---

